

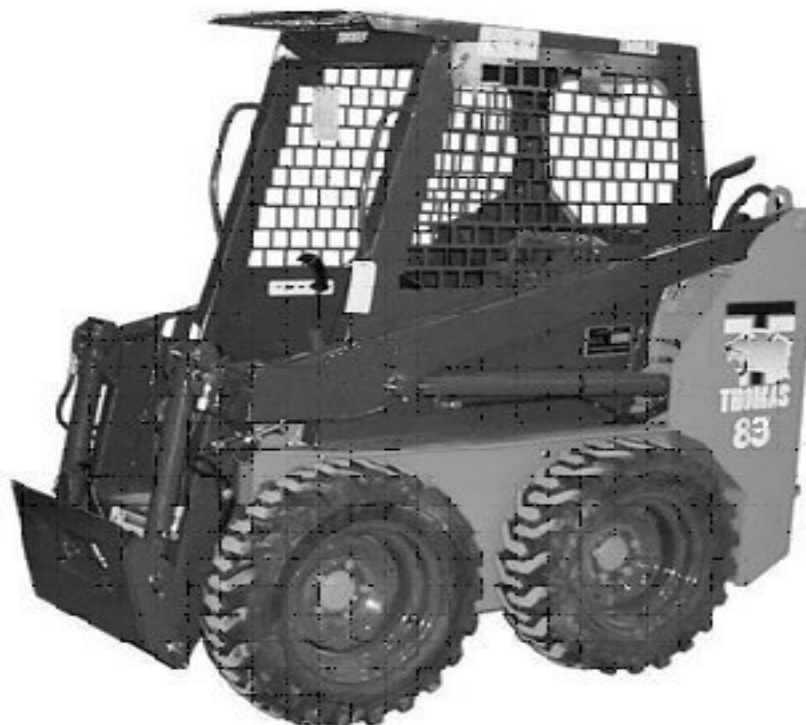
**83**

*Skid Steer Loader*

# Parts Manual



LB001150-LB001401



## THOMAS EQUIPMENT LIABILITY WARRANTY

**THIS WARRANTY IS THE ONLY OBLIGATION OF THOMAS OR A THOMAS DEALER TO THE PURCHASER OR ANYONE ELSE CONCERNING A PRODUCT, ITS SERVICE, ITS USE OR PERFORMANCE OR ITS LOSS OF USE OR FAILURE TO PERFORM. NEITHER THOMAS NOR A THOMAS DEALER HAVE MADE AND NEITHER WILL MAKE ANY OTHER EXPRESSED OR IMPLIED REPRESENTATION, WARRANTY OR AGREEMENT CONCERNING A PRODUCT. NEITHER THOMAS NOR A THOMAS DEALER HAVE MADE OR WILL MAKE ANY REPRESENTATION, WARRANTY OR AGREEMENT CONCERNING A PRODUCTS MERCHANABILITY OR OTHER QUALITY, ITS SUITABILITY FOR PURCHASER'S PURPOSE (EVEN IF A PURCHASER HAS INFORMED THOMAS OR A THOMAS DEALER OF THAT PURPOSE), ITS DURABILITY, PERFORMANCE OR OTHER CONDITION.**

**EVEN IF THOMAS OR A THOMAS DEALER WAS ADVISE OF THE POSSIBILITY OF SUCH LOSS, NEITHER THOMAS NOR A THOMAS DEALER WILL BE LIABLE TO PURCHASER OR ANYONE ELSE FOR ANY INDIRECT, INCIDENTAL CONSEQUENTIAL, PUNITIVE, ECONOMIC, COMMERCIAL, OR SPECIAL LOSS WHICH IS IN ANY WAY ASSOCIATED WITH A PRODUCT. THIS INCLUDES ANY LOSS OF USE OR NON-PERFORMANCE OF A PRODUCT, ANY REPLACEMENT RENTAL OR ACQUISITION COST, ANY LOSS OF REVENUE OR PROFITS, ANY FAILURE TO REALIZE EXPECTED SAVINGS, ANY INTEREST COSTS, ANY IMPAIRMENT OF OTHER GOODS, ANY INCONVENIENCE OR ANY LIABILITY OF PURCHASER TO ANY OTHER PERSON.**

**PURCHASER MAY NOT ATTEMPT TO ENLARGE ITS RIGHTS UNDER THE WARRANTY BY MAKING A CLAIM FOR INDEMNITY, FOR BRACH OF CONTRACT, FOR BREACH OF COLLATERAL WARRANTY, FOR A TORT (INCLUDING NEGLIGENCE, MISREPRESENTATION OR STRICT LIABILITY) OR BY CLAIMING ANY OTHER CAUSE OF ACTION.**

**THE WARRANTY IS A CONDITION OF SALE OF THE PRODUCT TO PURCHASER AND WILL THEREFORE APPLY EVEN IF PURCHASER ALLEGES THAT THERE IS A TOTAL FAILURE OF THE PRODUCT.**

*N.B. Read and practice your **Thomas** S/S Loader operating and servicing instructions. Failure to do this may void your warranty.*

# T83 'S' Index

## MAIN FRAME 1.

Microfiche	Parts Cat.
A-1 Fuel Tank and Fittings.....	1.1
A-2 Rear Door and Latch .....	1.2
A-3 Shields, Seat and Belt .....	1.3
A-3 Decals, Wheel Equipment .....	1.3
A-4 Boom Lock and Pivot Pins.....	1.4
A-5 Quick - Tach.....	1.5

MAIN FRAME

## CONTROLS 2

A-6 Control Levers (R.H. Side).....	2.1
A-7 Control Levers (L.H. Side).....	2.2
A-8 Foot Pedals .....	2.3
A-9 Seat Bar.....	2.4
A-10 Throttle .....	2.5
A-11 Parking Brake .....	2.6

CONTROLS

## FINAL DRIVE TRANSMISSION 3.

A-12 Axle Assembly .....	3.1
--------------------------	-----

FINAL  
DRIVE  
TRANSMISSION

## HYDRAULIC SYSTEM 4.

B-1 Oil Reservoir.....	4.1
B-2 Bucket Tilt Circuit.....	4.2
B-3 Boom Lift Circuit .....	4.3
B-4 Auxiliary Hydraulic Circuit.....	4.4
B-5 Hydraulic Gear Pump .....	4.5
B-6 Control Valve-Standard .....	4.6
B-7 Lift Cylinder and Tilt Cylinder .....	4.7

HYDRAULIC  
SYSTEM

## HYDROSTATIC DRIVE SYSTEM 5.

B-8 Hydrostatic Drive Circuit (R.H. Side).....	5.1
B-9 Hydrostatic Drive Circuit (L.H. Side) .....	5.2
B-10 Tandem Pump (Front) .....	5.3
B-11 Tandem Pump (Rear) .....	5.4
B-12 Torque Motor .....	5.5

HYDROSTATIC  
DRIVE  
SYSTEM

## ELECTRICAL SYSTEM 6.

C-1 Electrical Schematic (Engine Side).....	6.1
C-2 Electrical Schematic (ROPS Side) .....	6.2

ELECTRICAL  
SYSTEM

## ENGINE EQUIPMENT 7.

C-3 Exhaust System.....	7.1
C-4 Radiator and Engine Mounts.....	7.2
C-5 Air Cleaner and Intake.....	7.3
C-6 Universal Joint .....	7.4

ENGINE  
EQUIPMENT

## OPTIONAL EQUIPMENT 8.

C-7 Sound Insulation.....	8.1
C-8 Hand Control Lever (R.H. Side) .....	8.2
C-9 Hand Control Lever (L.H. Side).....	8.3
C-10 Control Valve Options.....	8.4
C-11 Back-Up Alarm.....	8.5
C-12 Horn Kit.....	8.6
D-1 Strobe Light .....	8.7
D-2 Side Window .....	8.8
D-3 Light Kit.....	8.9
D-4 Directional Light Kit .....	8.10
D-5 Manuals .....	8.11

OPTIONAL  
EQUIPMENT

## NUMERICAL INDEX

NUMERICAL  
INDEX

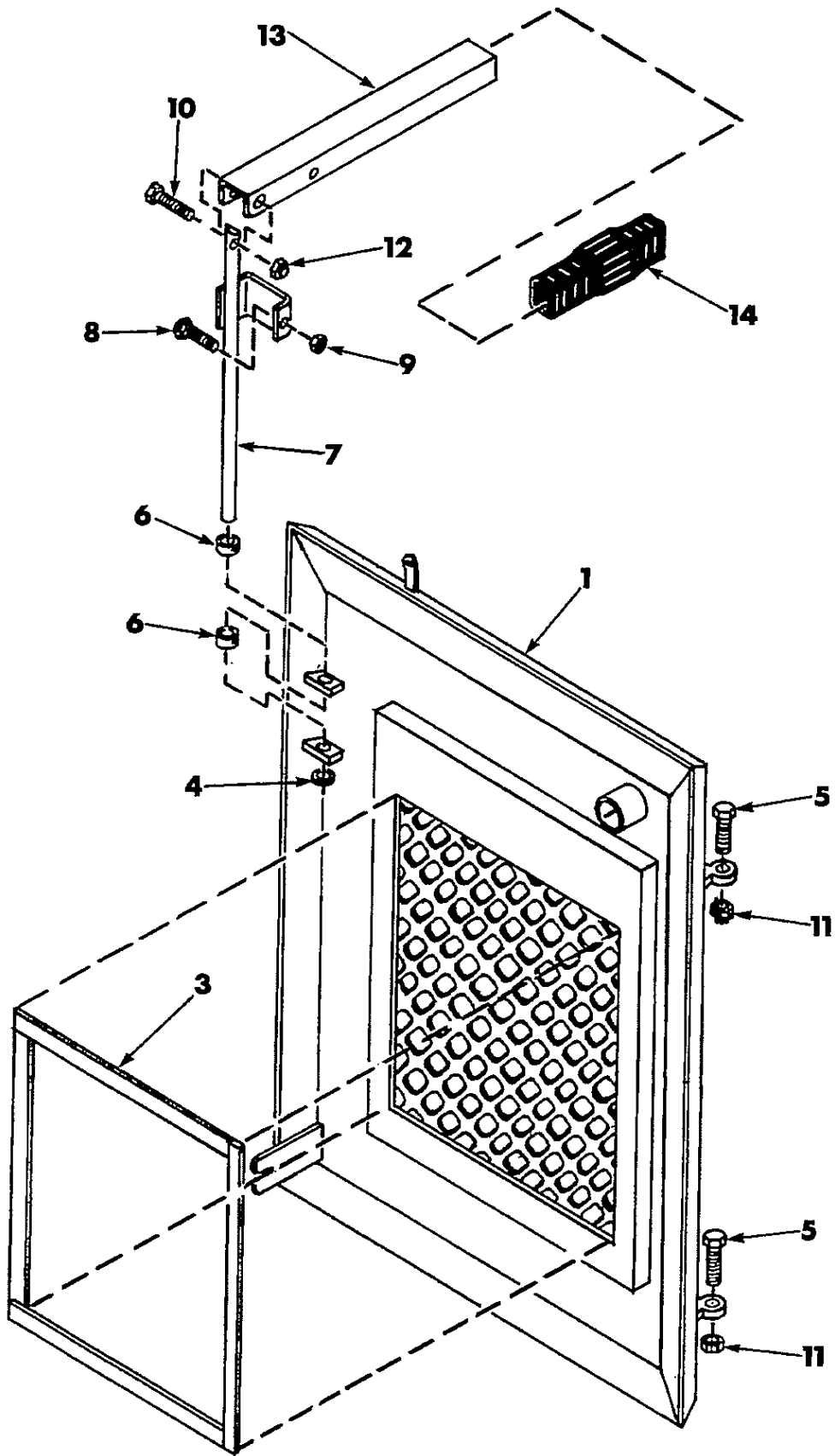
**MAIN FRAME 1.**

<b>Microfiche</b>	<b>Parts Cat.</b>
A-1 Fuel Tank and Fittings.....	1.1
A-2 Rear Door and Latch .....	1.2
A-3 Shields, Seat and Belt .....	1.3
A-3 Decals, Wheel Equipment .....	1.3
A-4 Boom Lock and Pivot Pins.....	1.4
A-5 Quick - Tach.....	1.5

**MAIN FRAME**

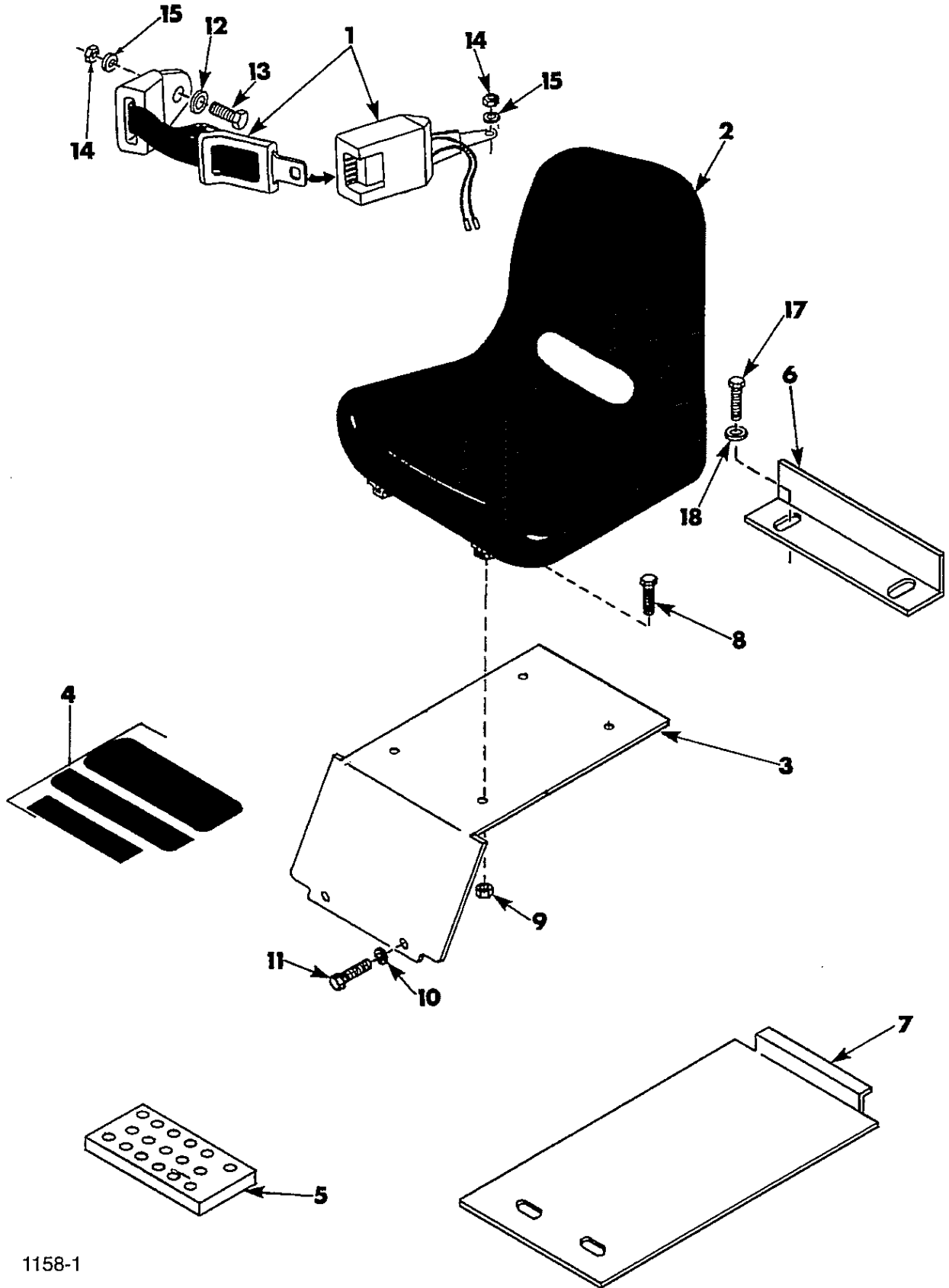






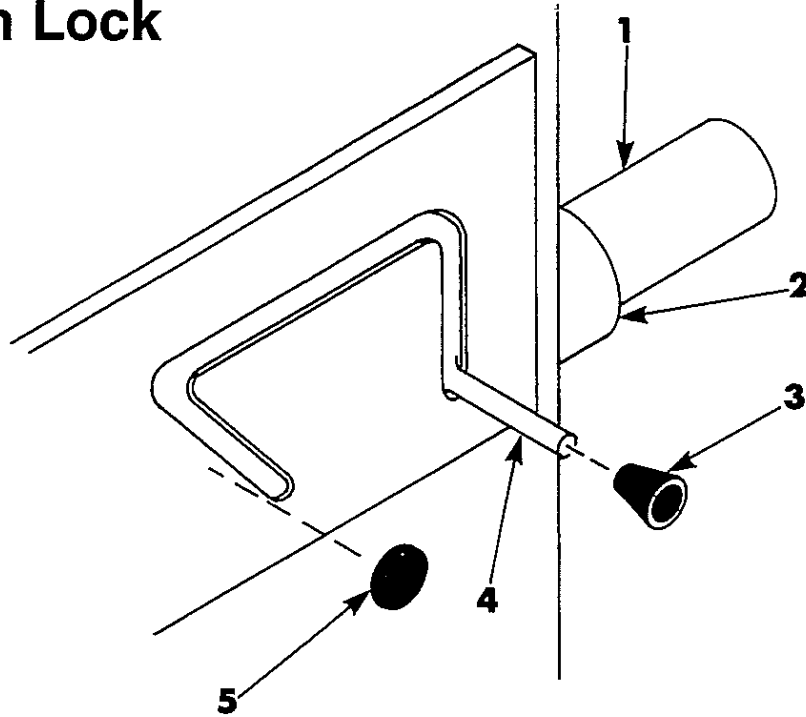






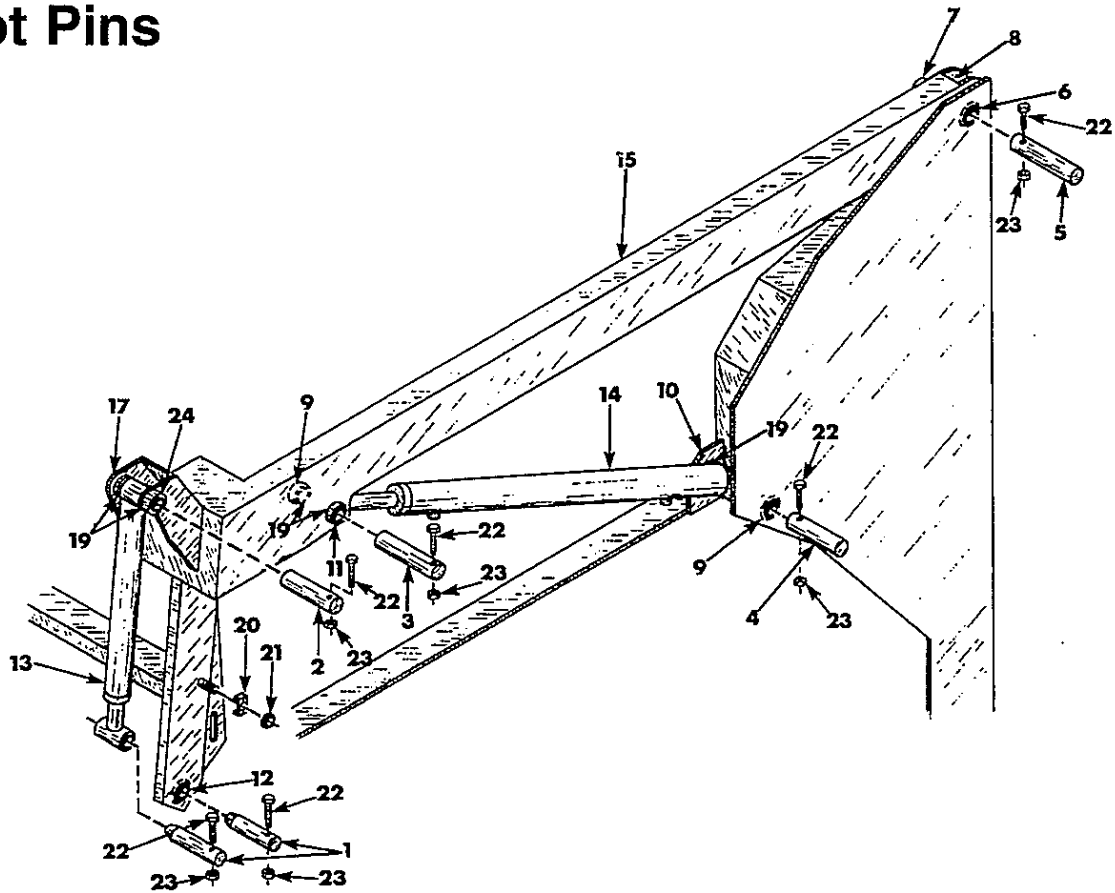


### Boom Lock



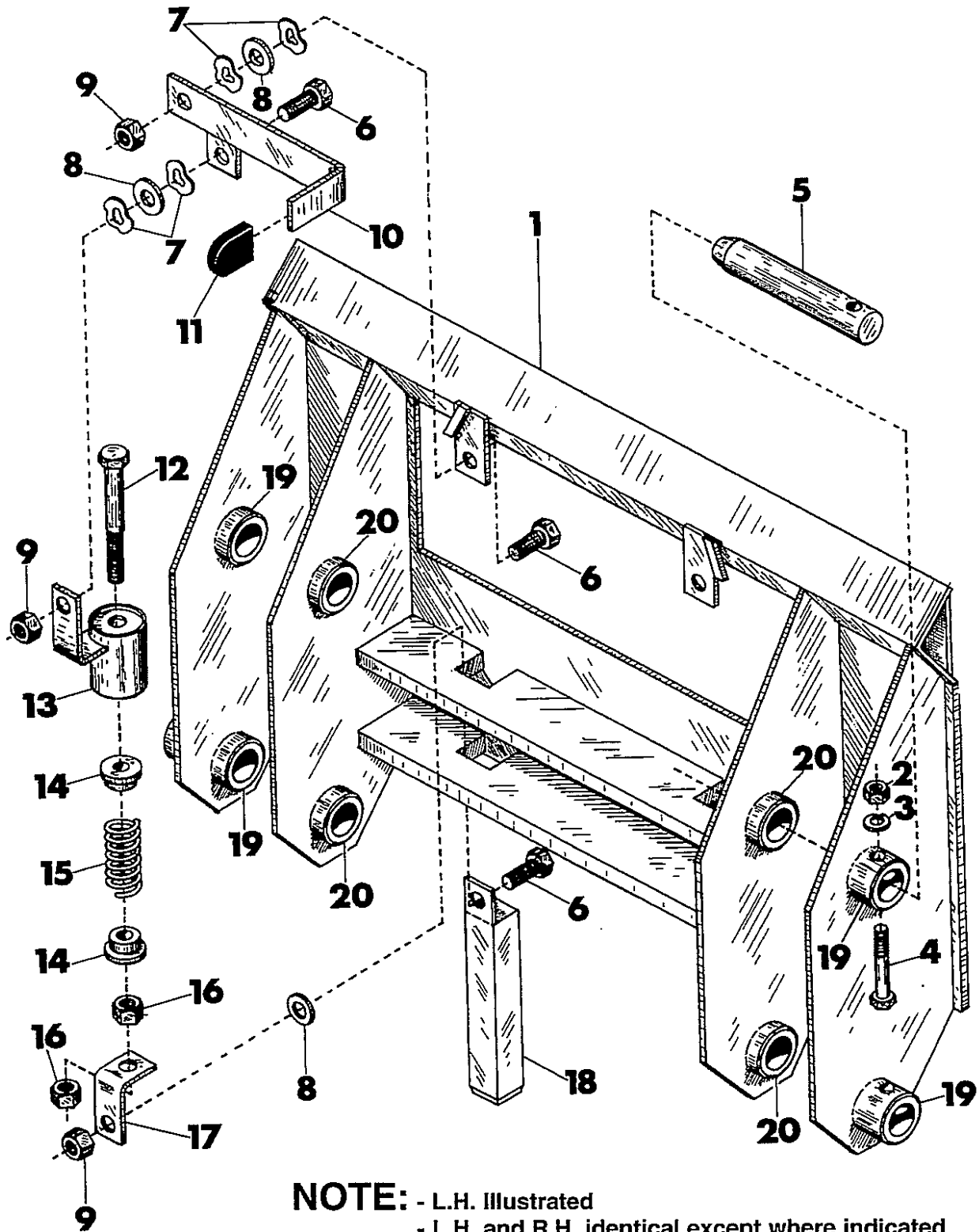
2642

### Pivot Pins



2583





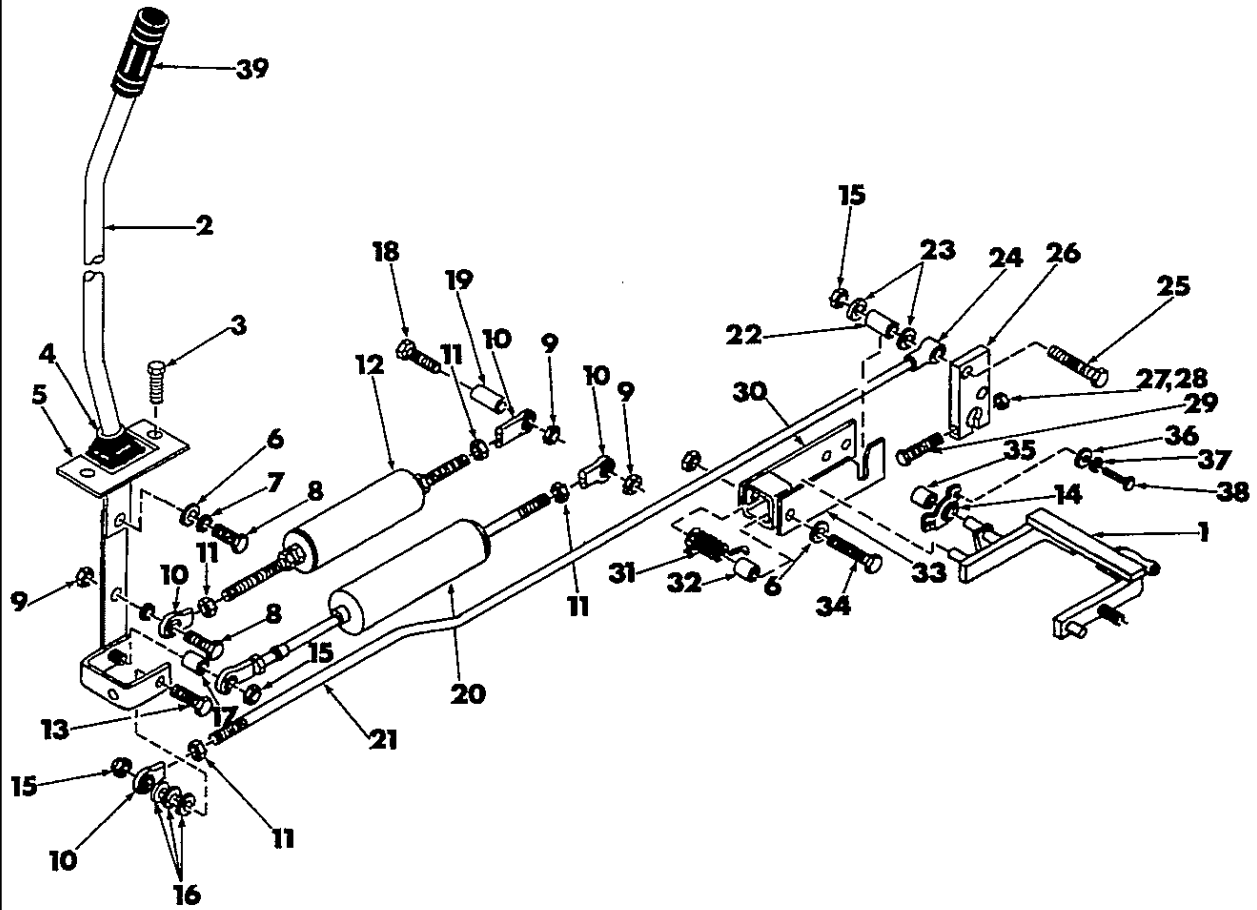
**NOTE:** - L.H. Illustrated  
 - L.H. and R.H. identical except where indicated  
 - Component quantities listed for complete assembly.



## CONTROLS 2

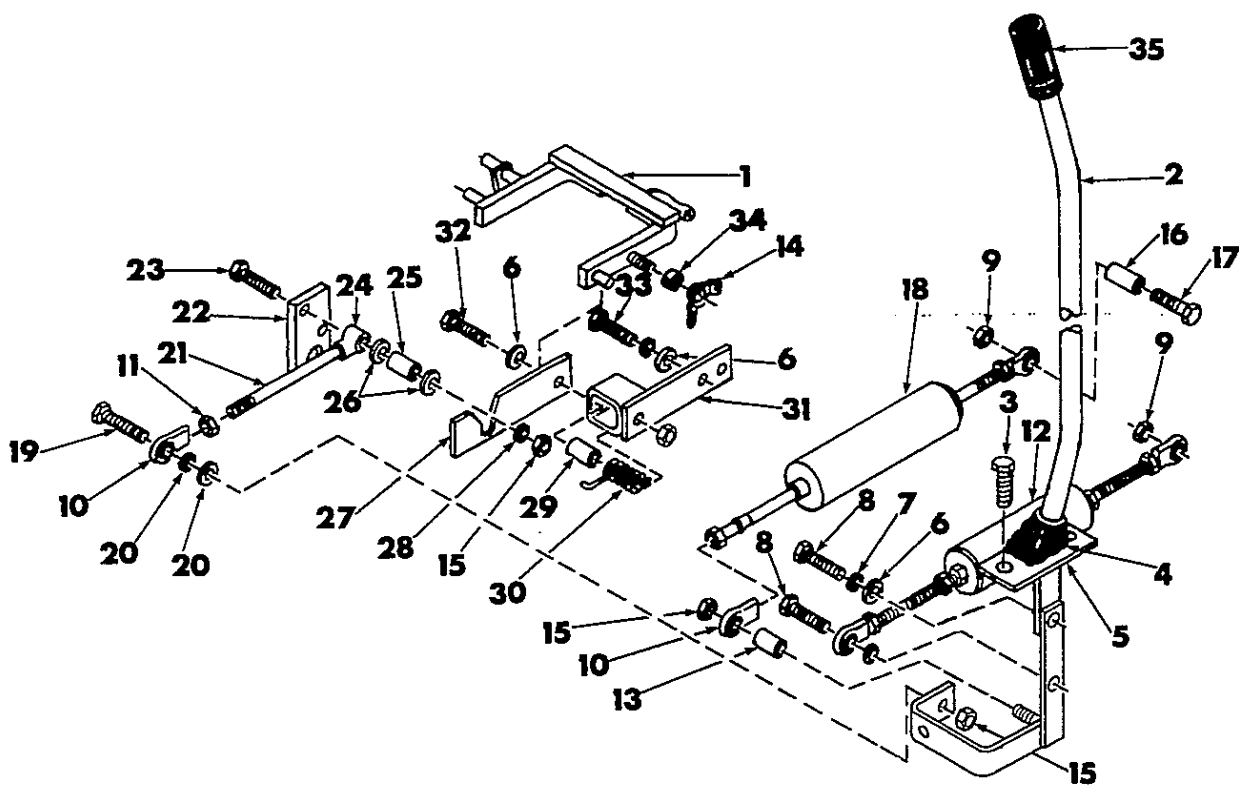
A-6	Control Levers (R.H. Side) .....	2.1
A-7	Control Levers (L.H. Side) .....	2.2
A-8	Foot Pedals .....	2.3
A-9	Seat Bar .....	2.4
A-10	Throttle .....	2.5
A-11	Parking Brake .....	2.6

CONTROLS

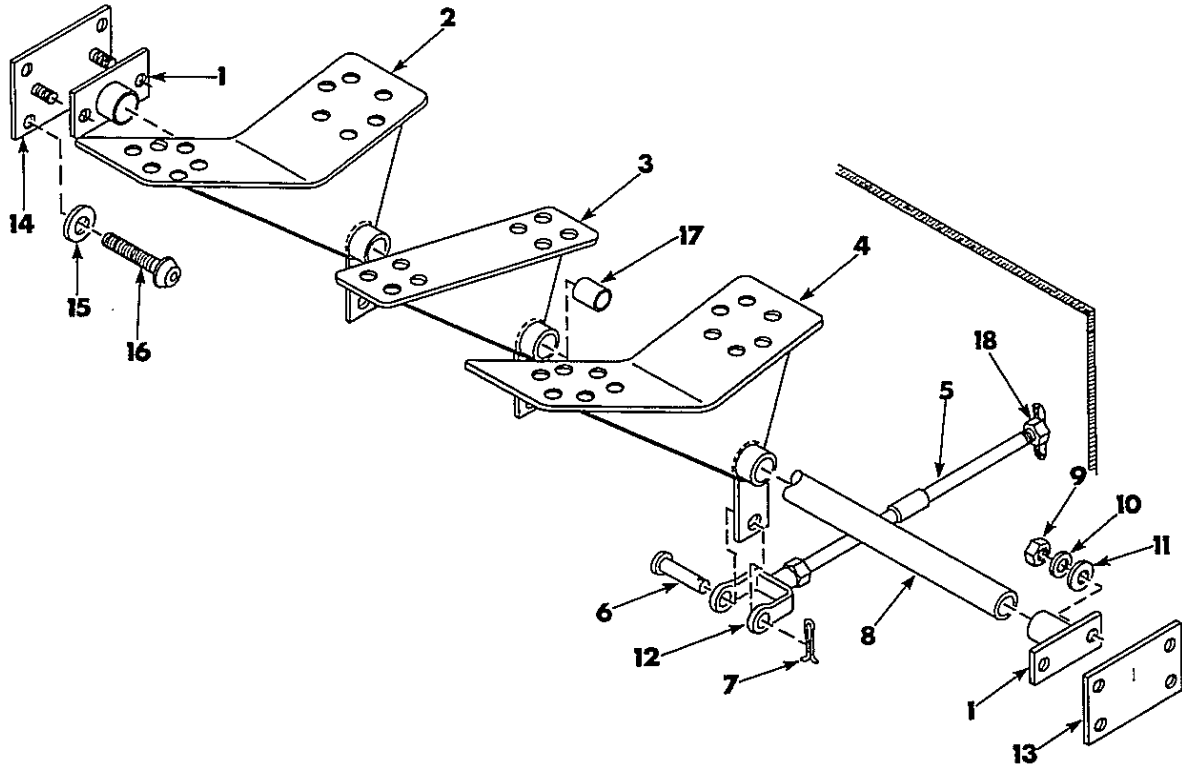




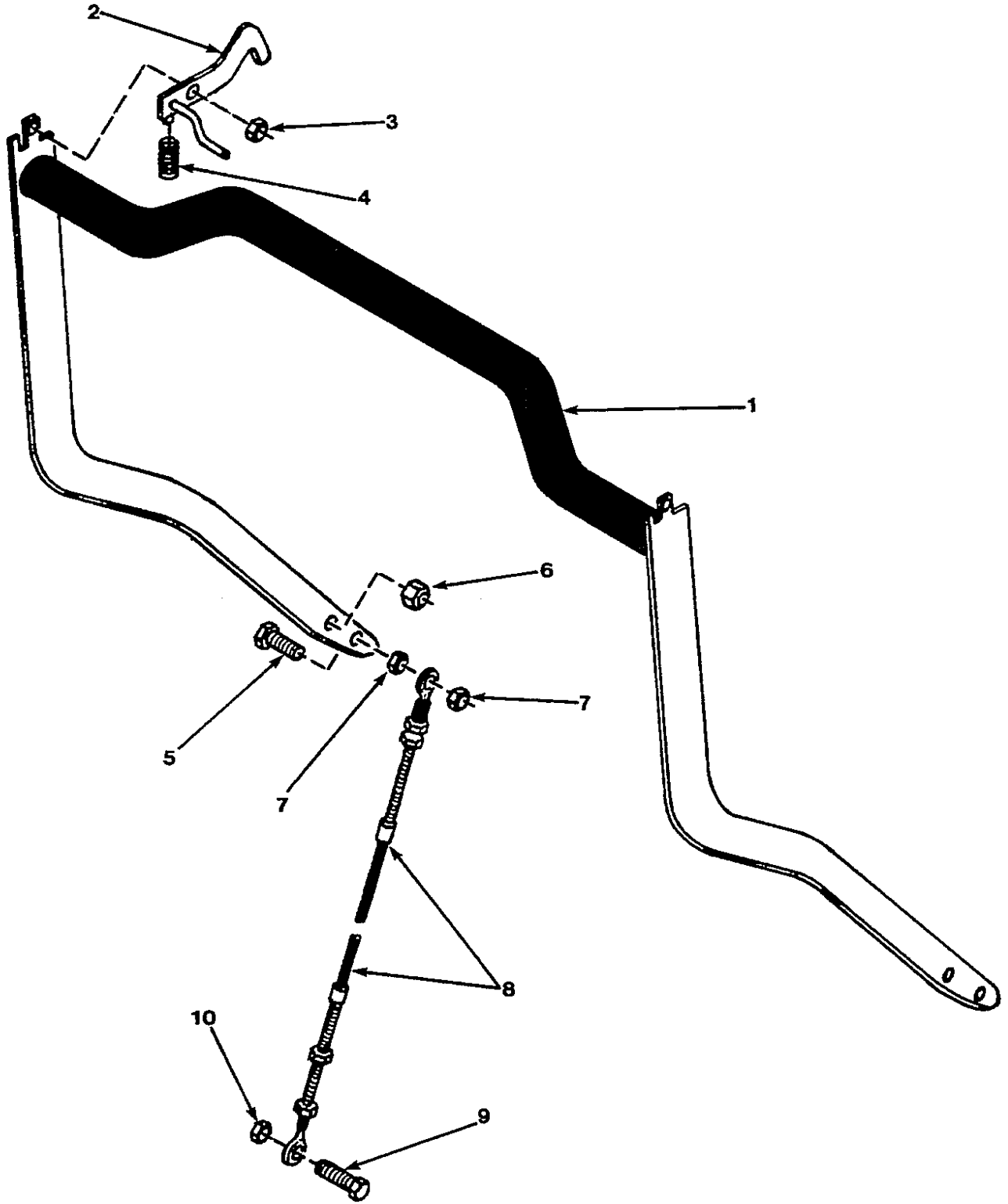




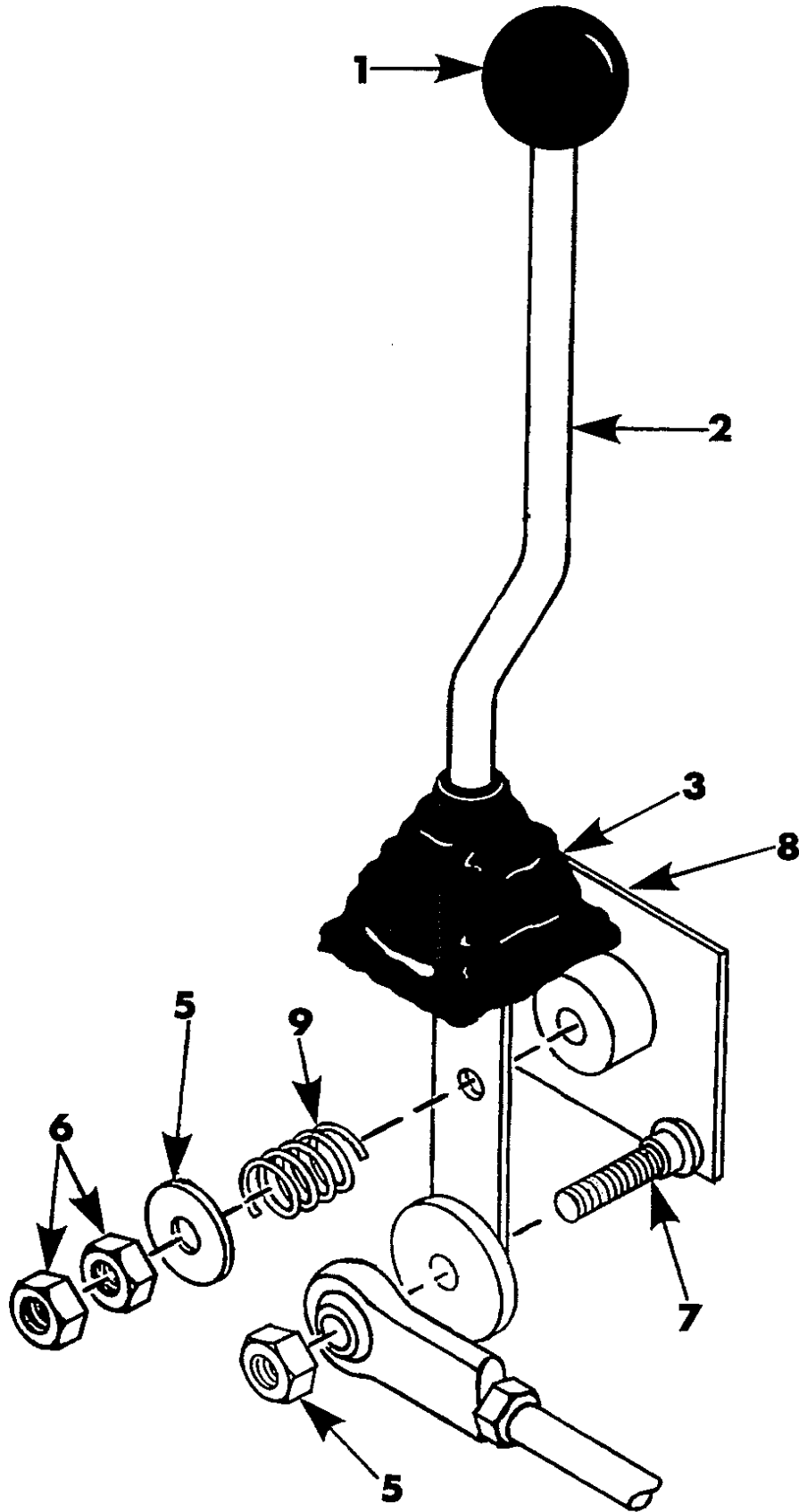






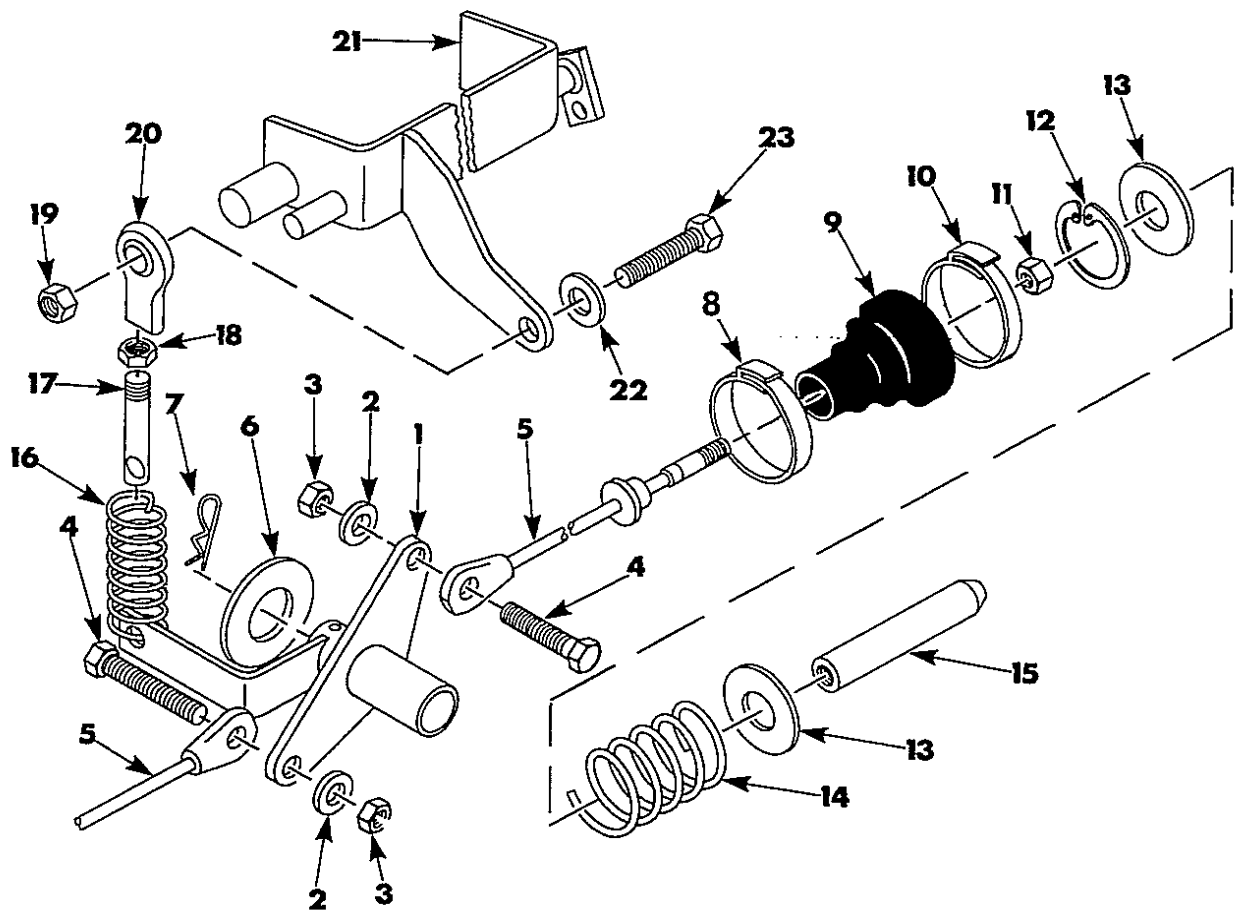






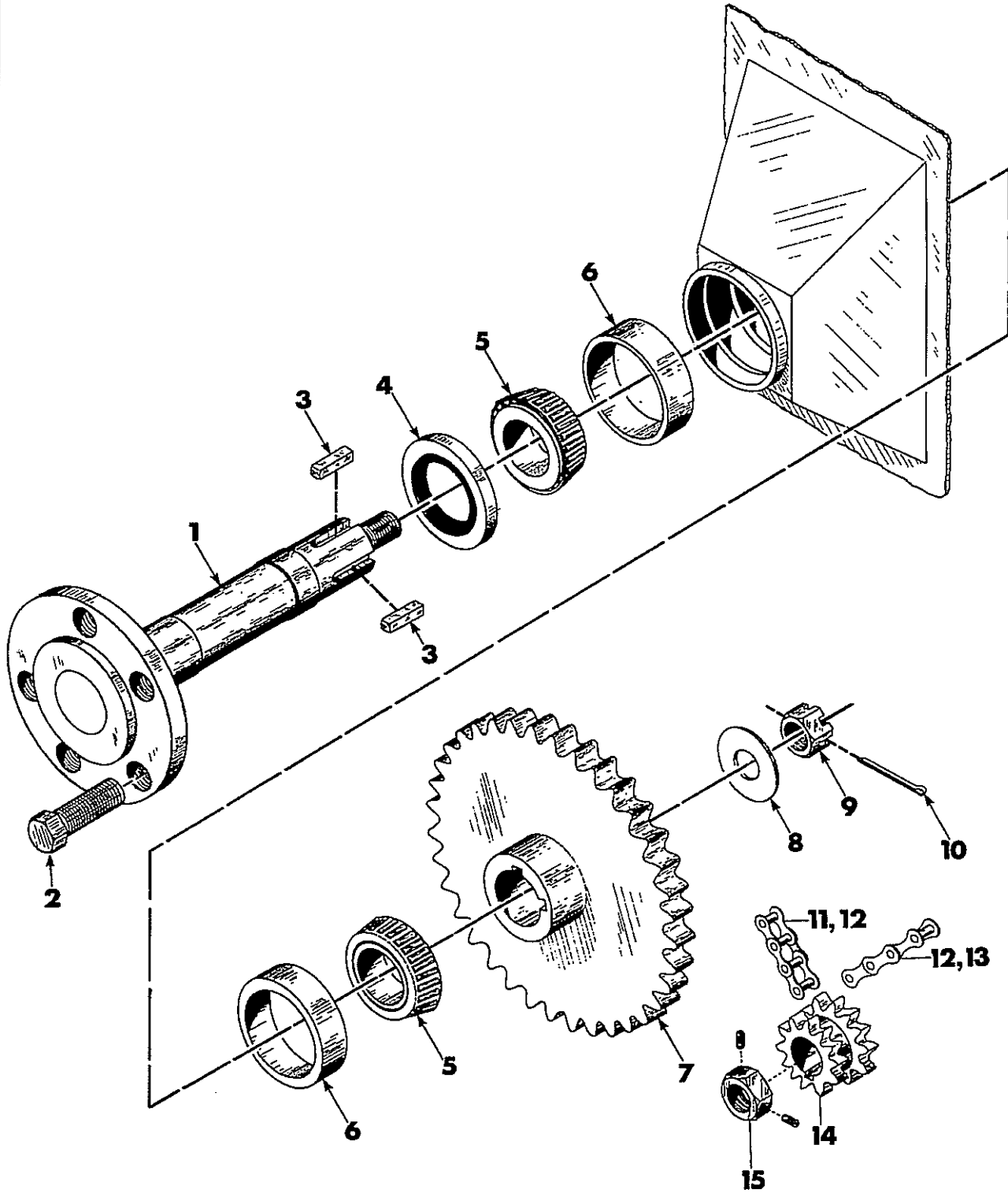








**FINAL DRIVE TRANSMISSION 3.**  
A-12 Axle Assembly .....3.1

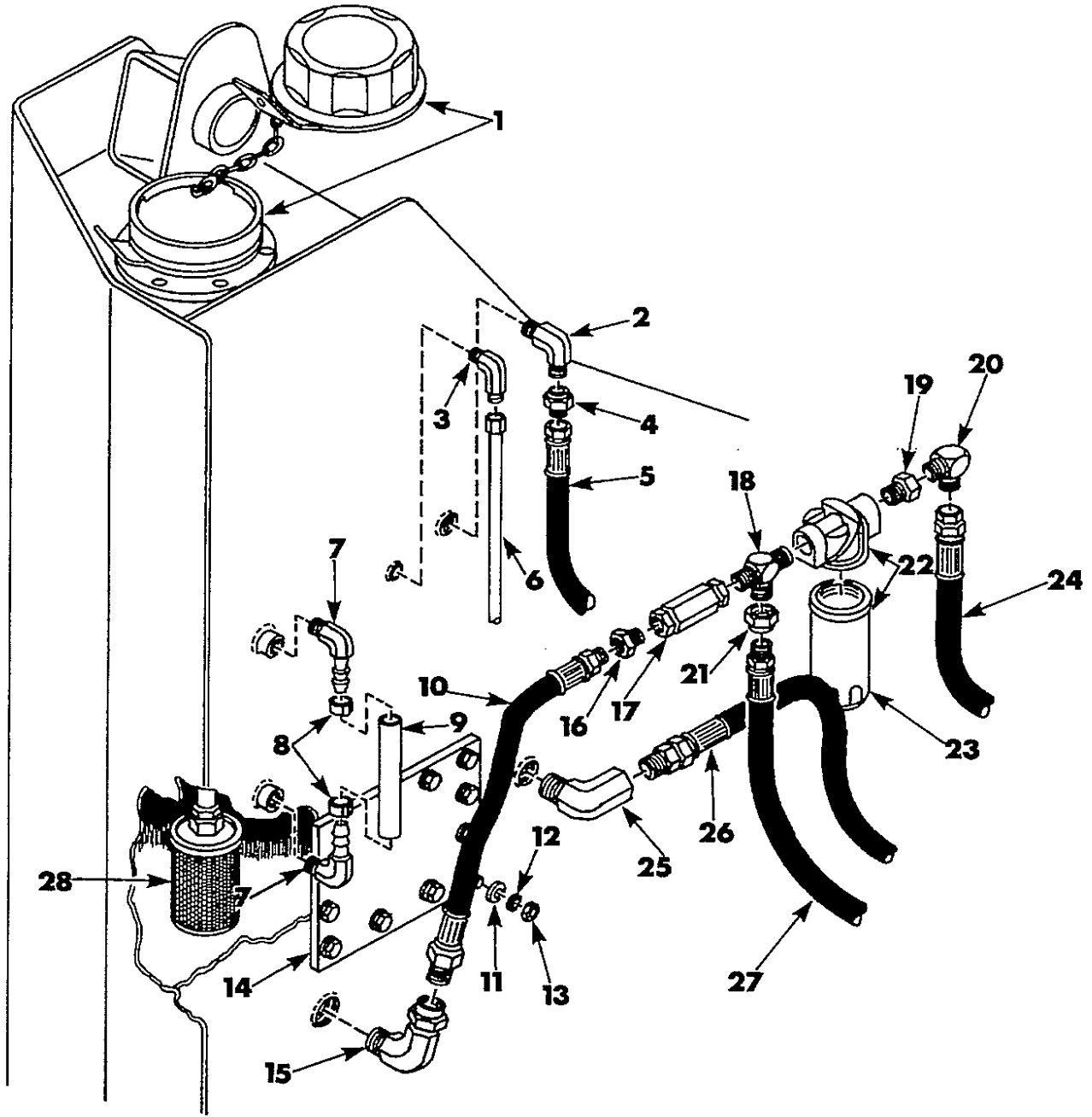




**HYDRAULIC SYSTEM 4.**

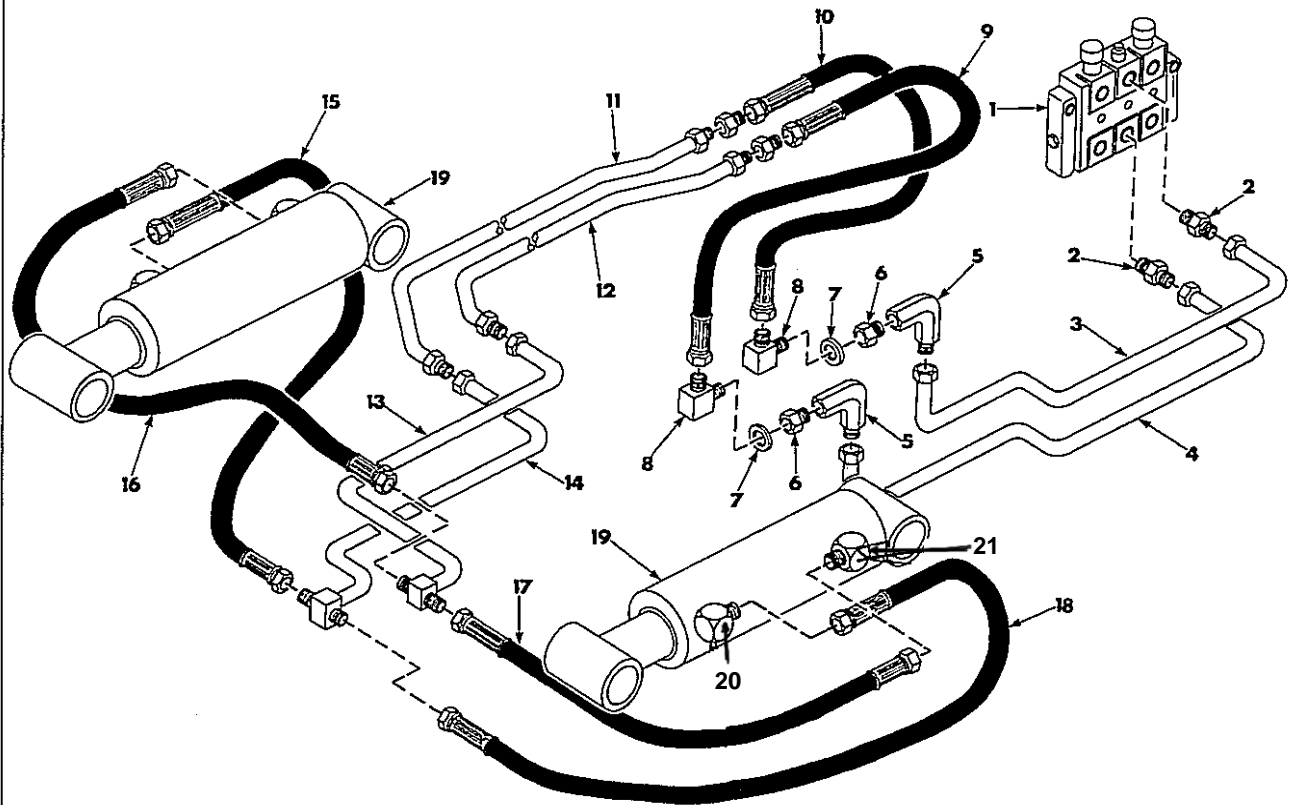
B-1 Oil Reservoir.....4.1  
B-2 Bucket Tilt Circuit.....4.2  
B-3 Boom Lift Circuit.....4.3  
B-4 Auxiliary Hydraulic Circuit.....4.4  
B-5 Hydraulic Gear Pump.....4.5  
B-6 Control Valve-Standard.....4.6  
B-7 Lift Cylinder.....4.7  
B-7 Tilt Cylinder.....4.7







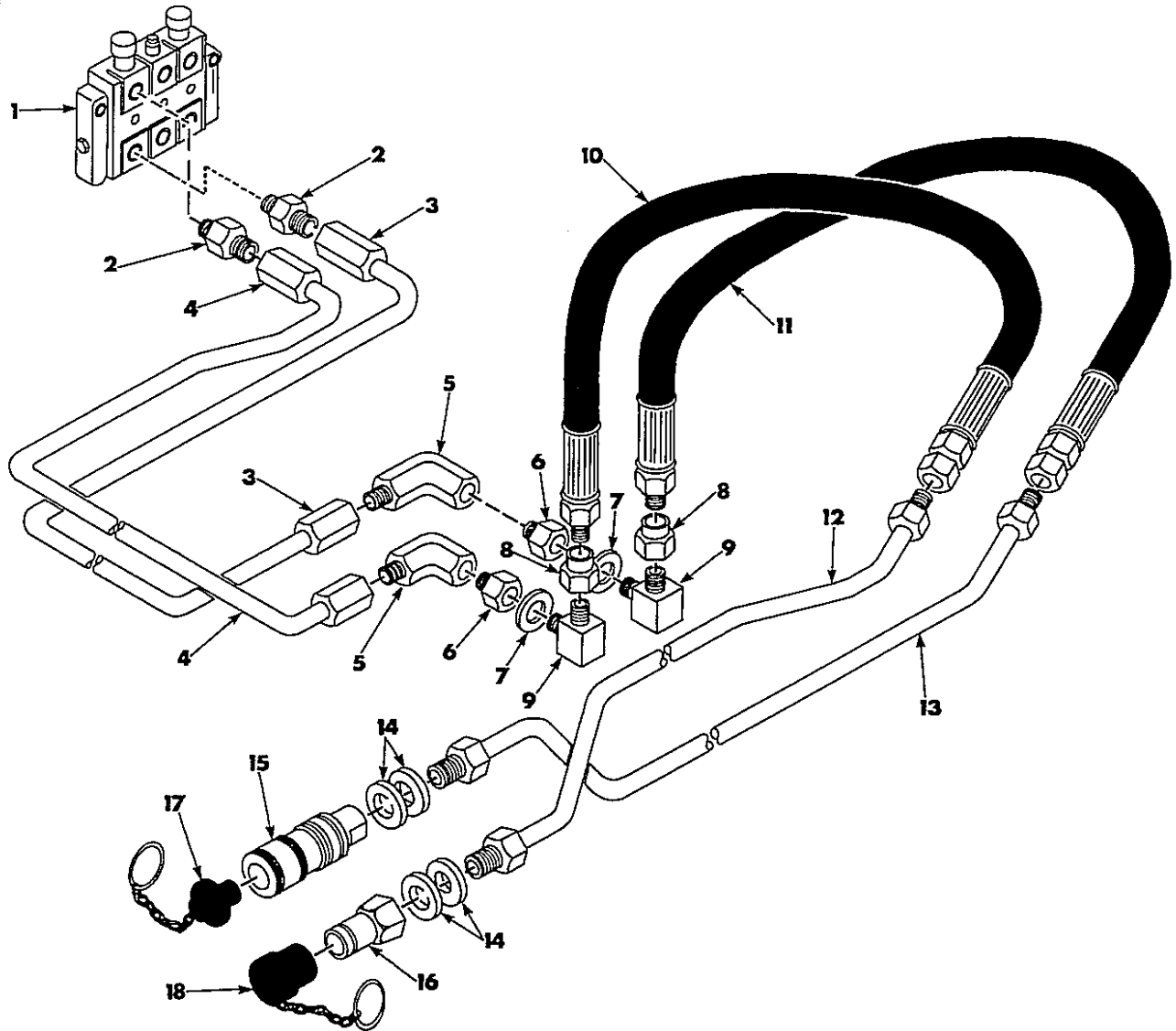




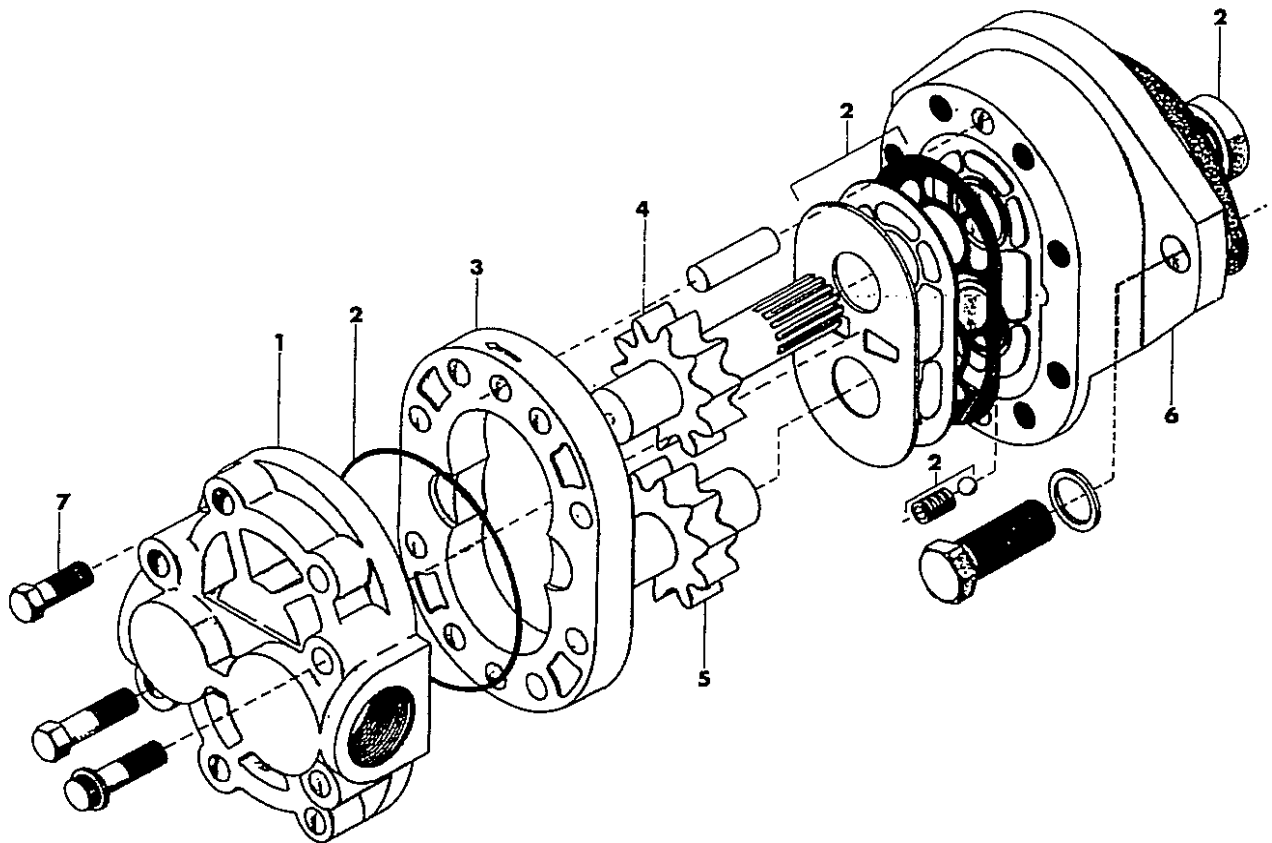






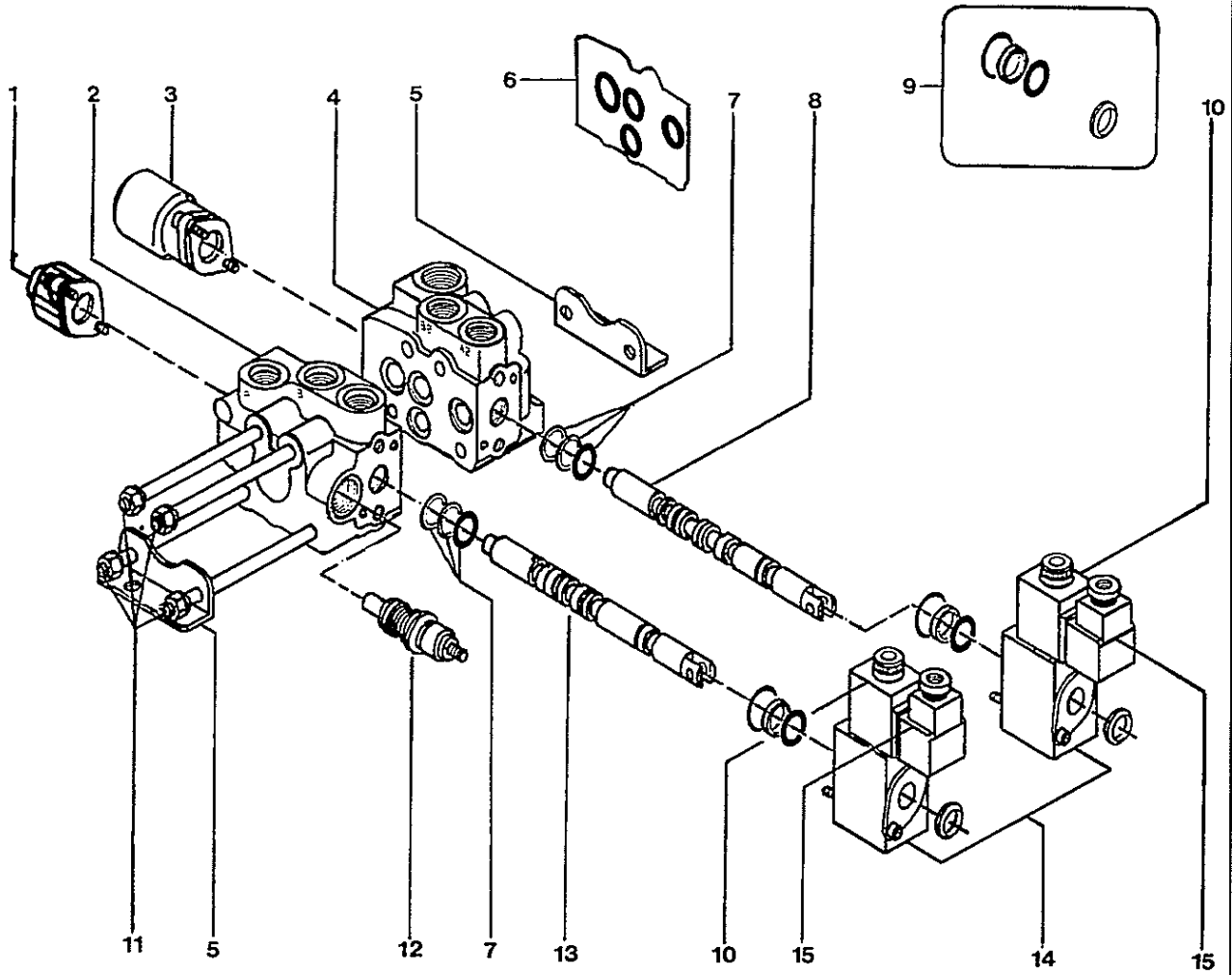




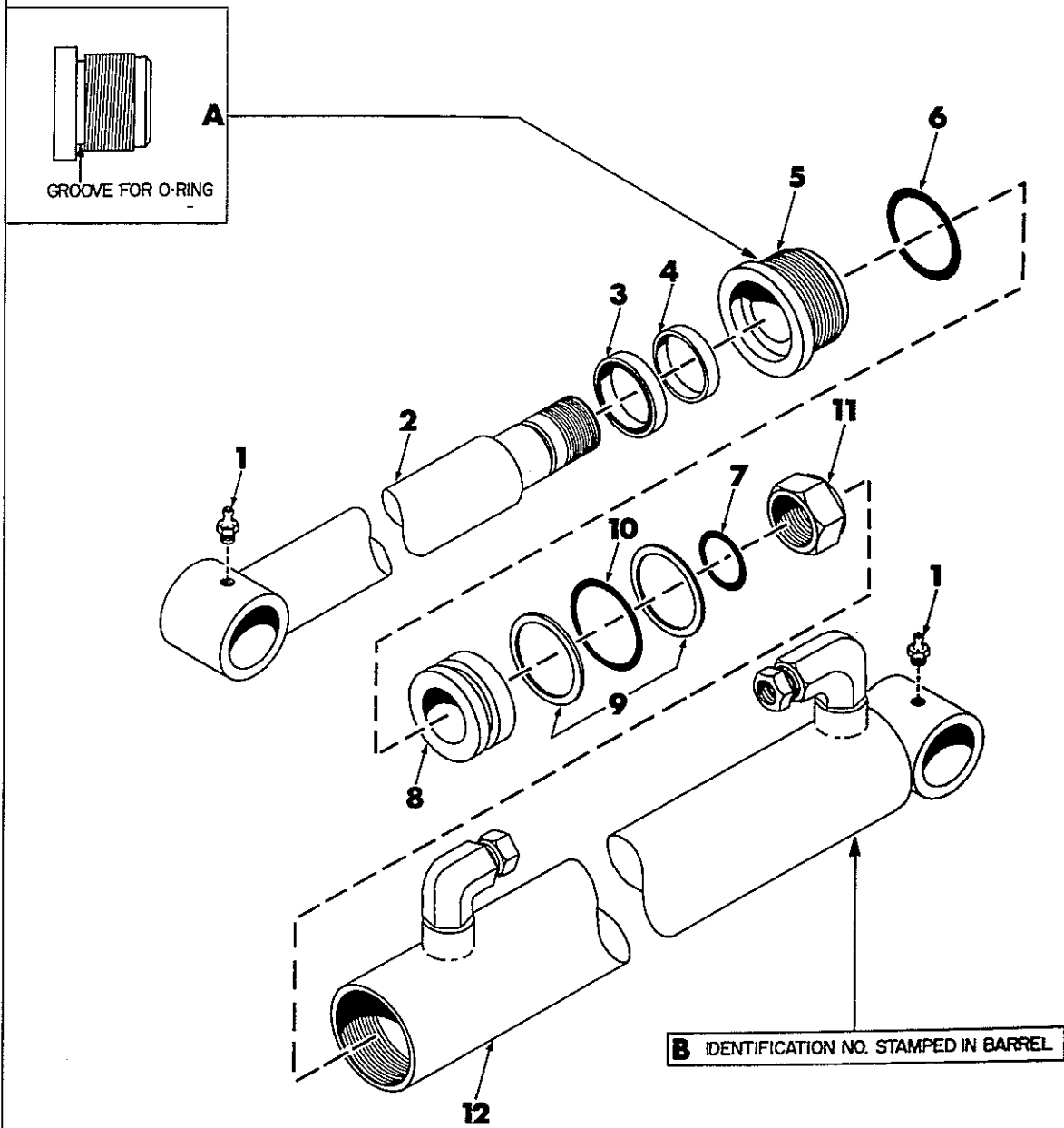












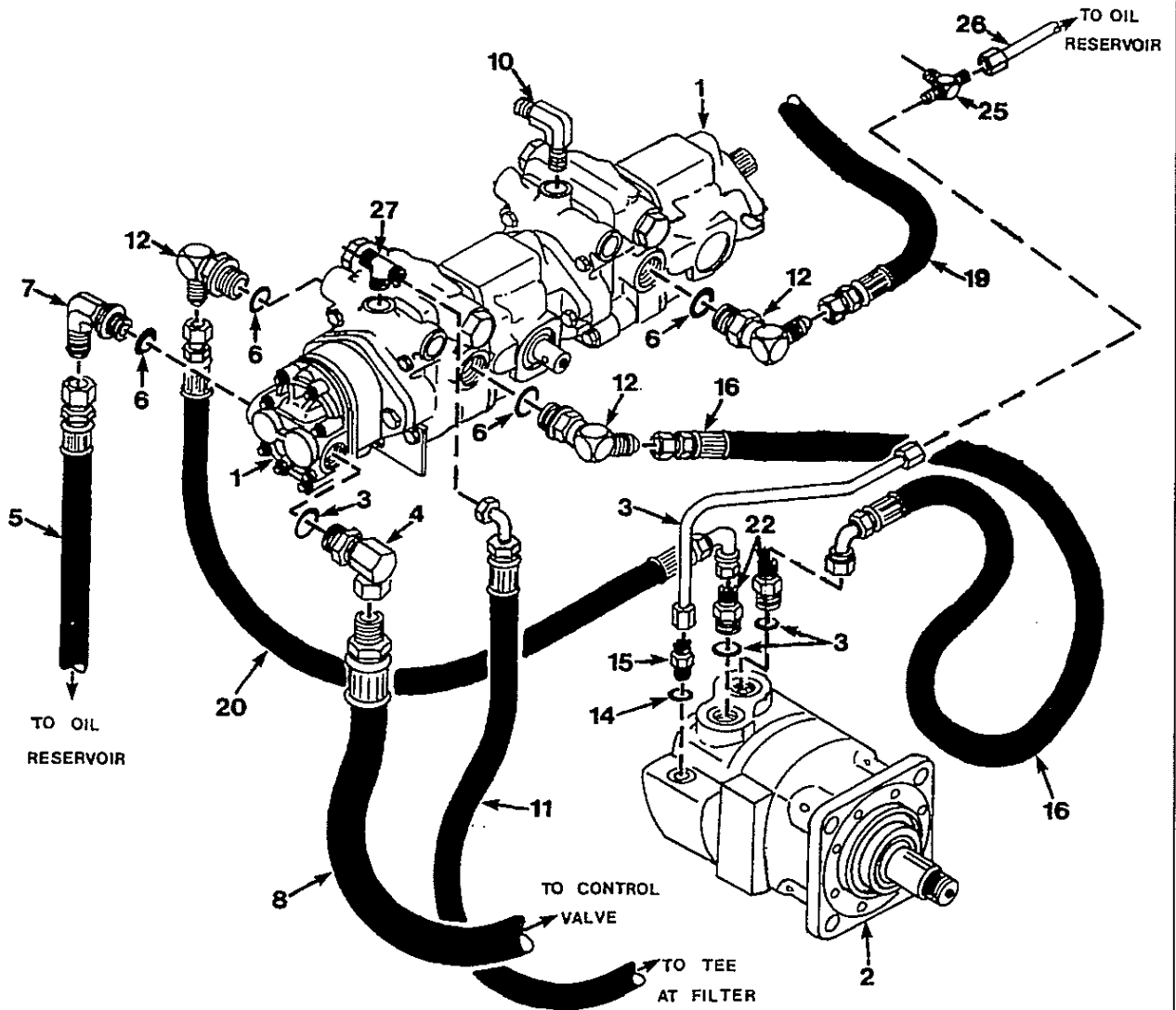
Two types of lift and tilt cylinders are used. To identify check items A and B. Also see Section 4.8.



**HYDROSTATIC DRIVE SYSTEM 5.**

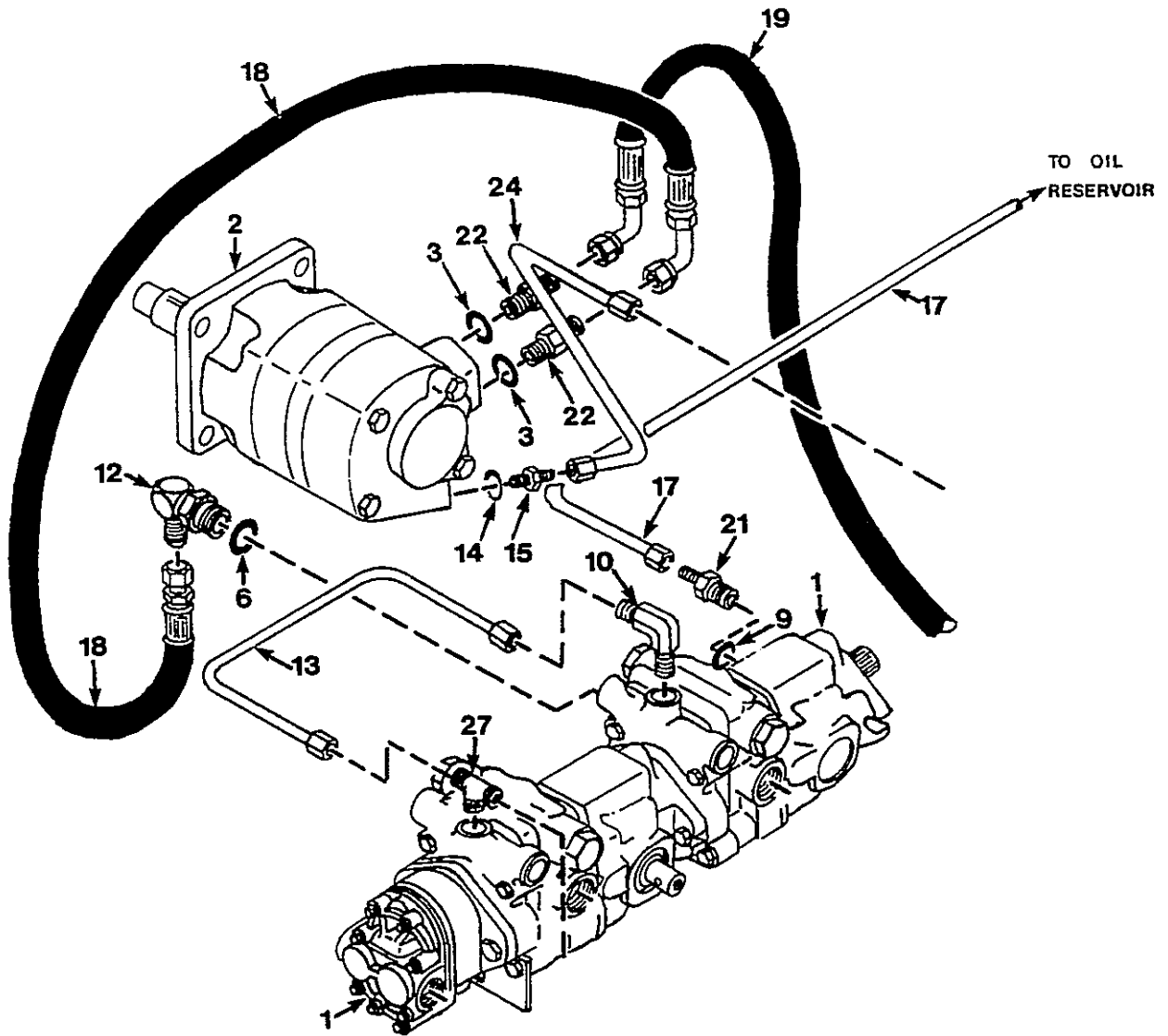
B-8 Hydrostatic Drive Circuit (R.H. Side).....5.1  
B-9 Hydrostatic Drive Circuit (L.H. Side) .....5.2  
B-10 Tandem Pump (Front) .....5.3  
B-11 Tandem Pump (Rear) .....5.4  
B-12 Torque Motor .....5.5

**HYDROSTATIC  
DRIVE  
SYSTEM**



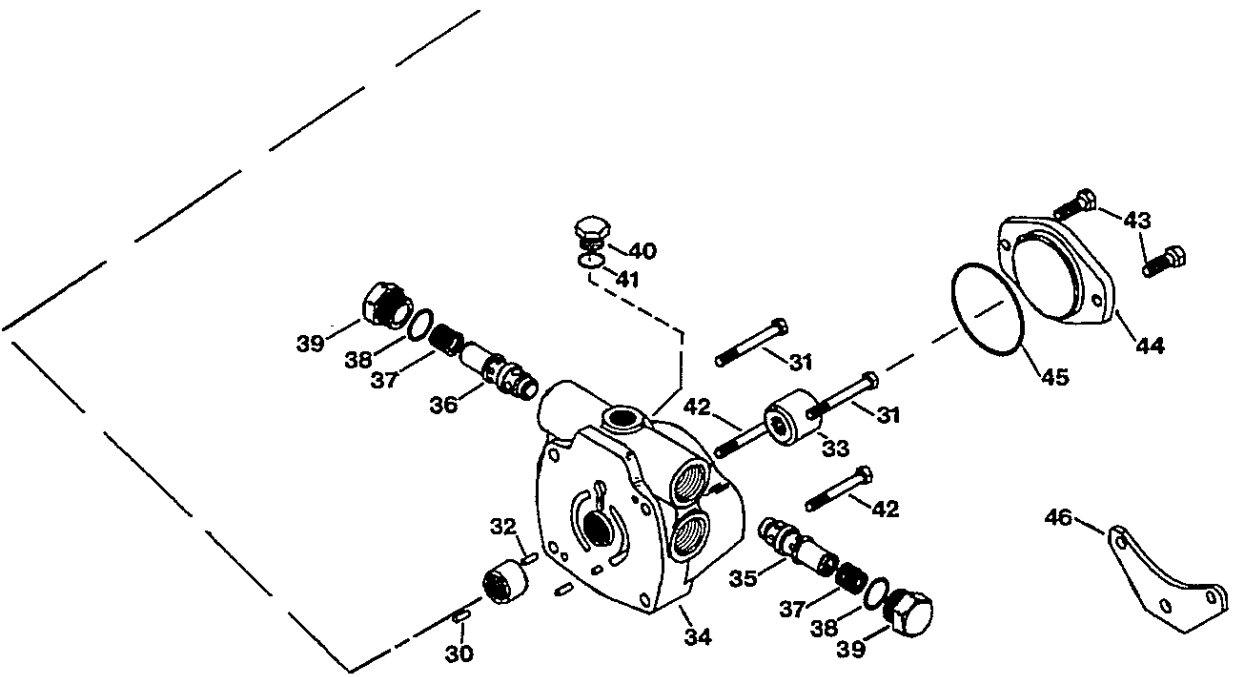




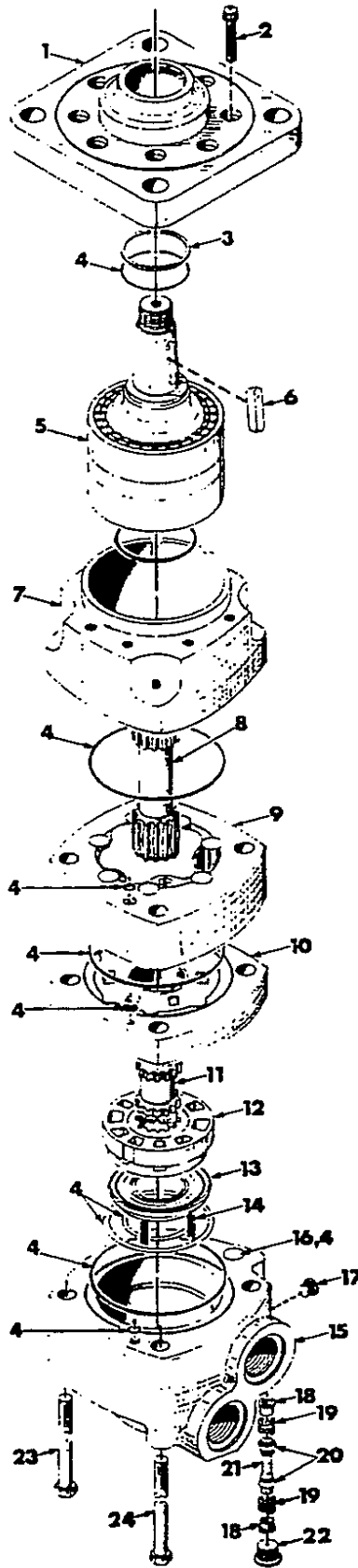












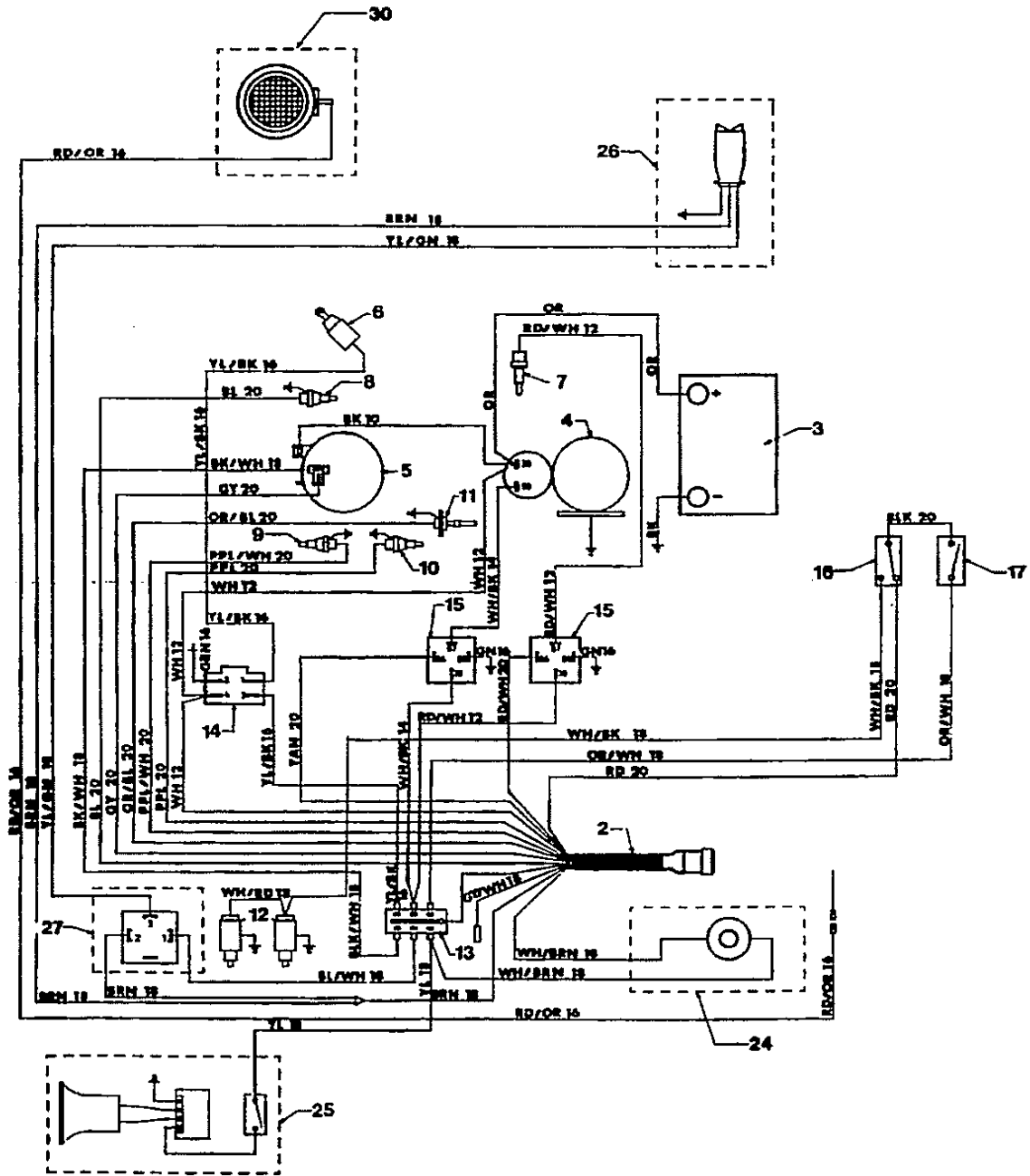


**ELECTRICAL SYSTEM 6.**

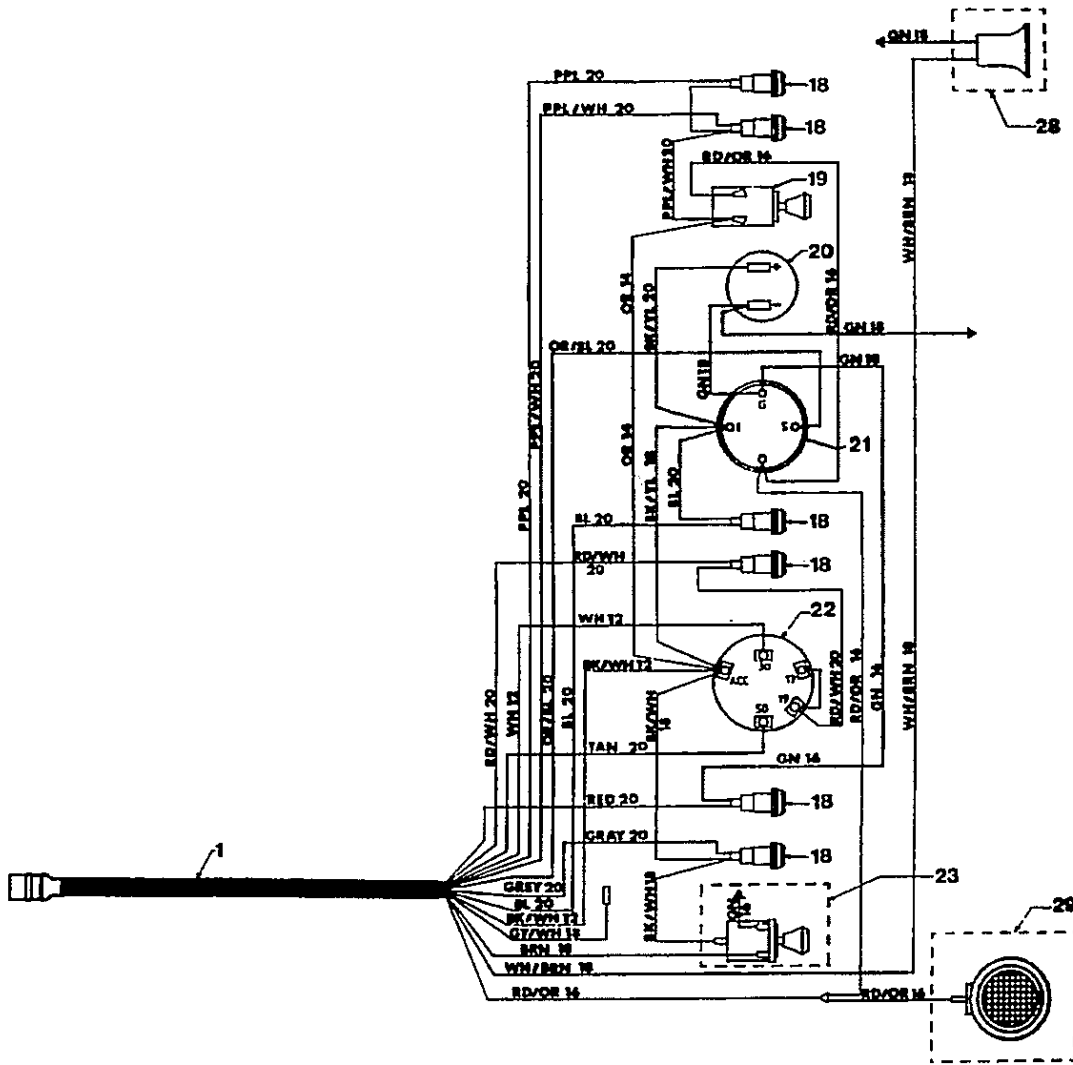
C-1 Electrical Schematic (Engine Side) .....6.1  
C-2 Electrical Schematic (ROPS Side) .....6.2

**ELECTRICAL  
SYSTEM**







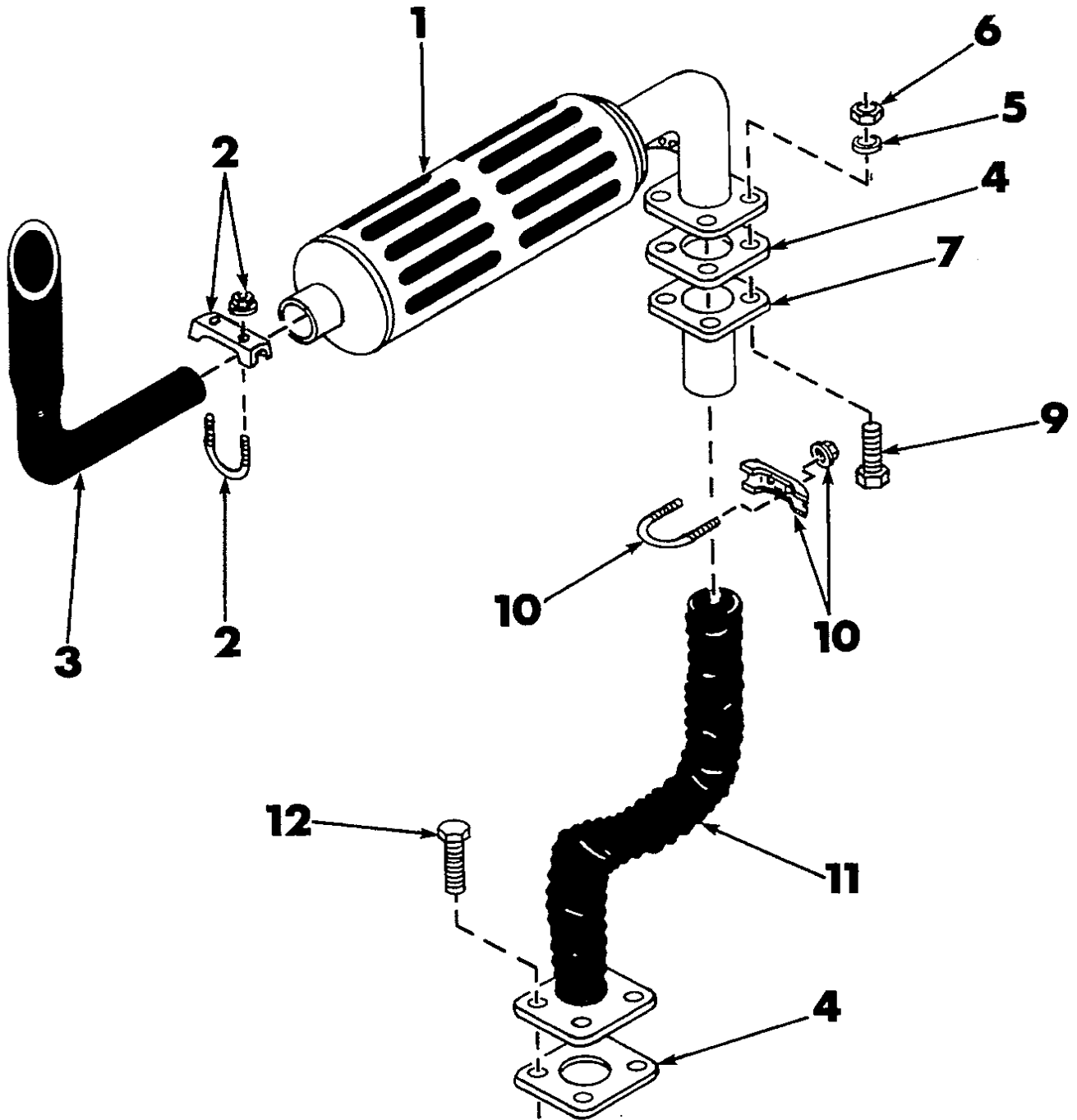




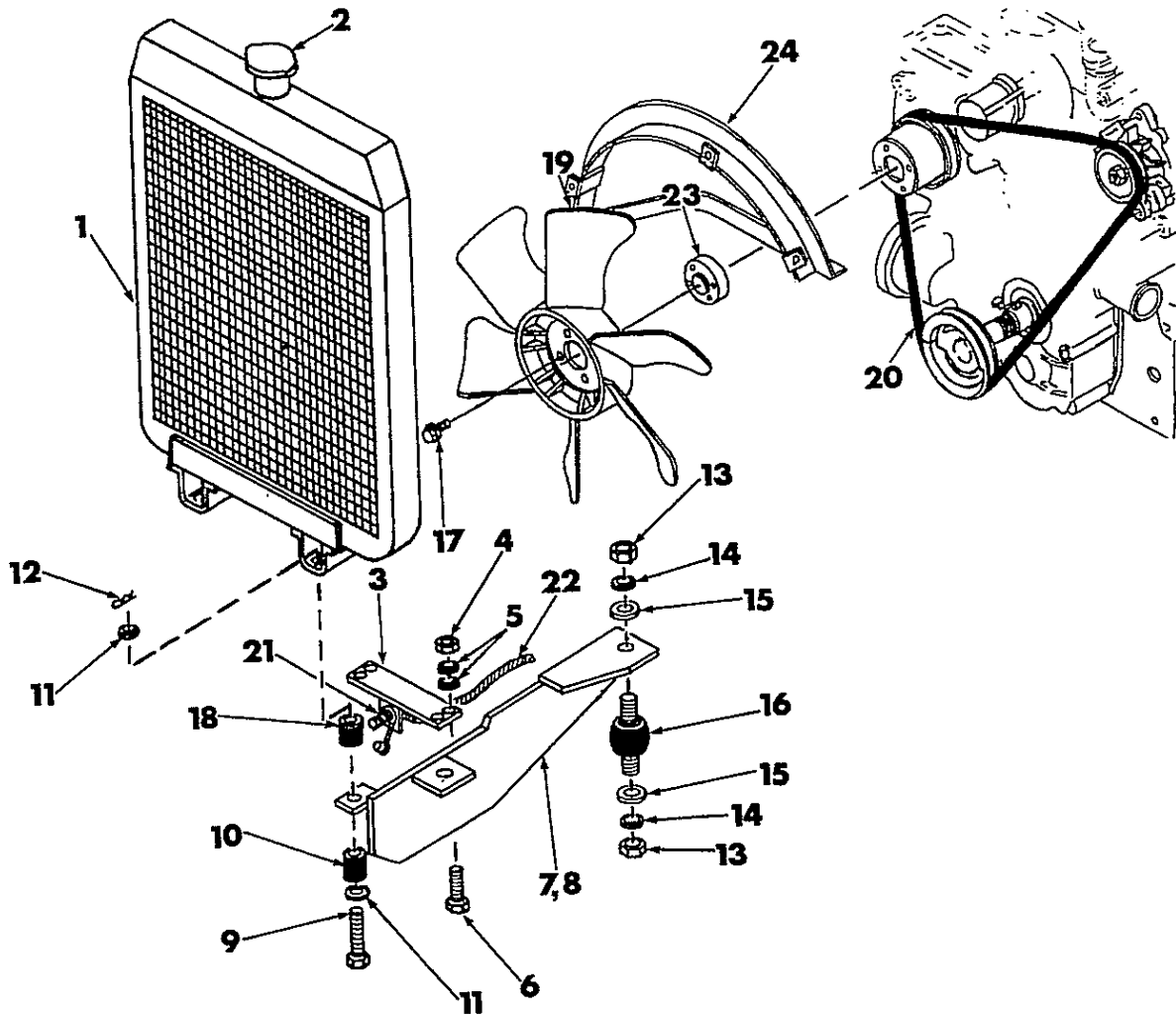
**ENGINE EQUIPMENT 7.**

C-3 Exhaust System.....7.1  
C-4 Radiator and Engine Mounts.....7.2  
C-5 Air Cleaner and Intake.....7.3  
C-6 Universal Joint.....7.4

**ENGINE  
EQUIPMENT**

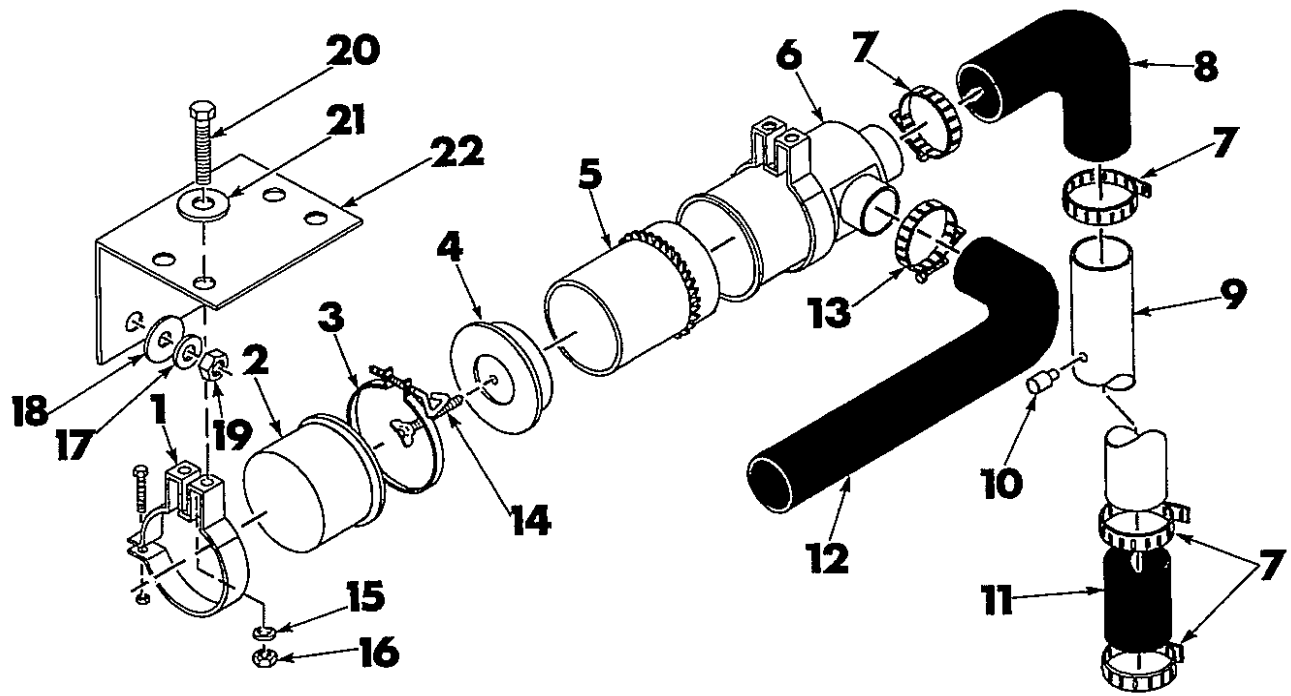




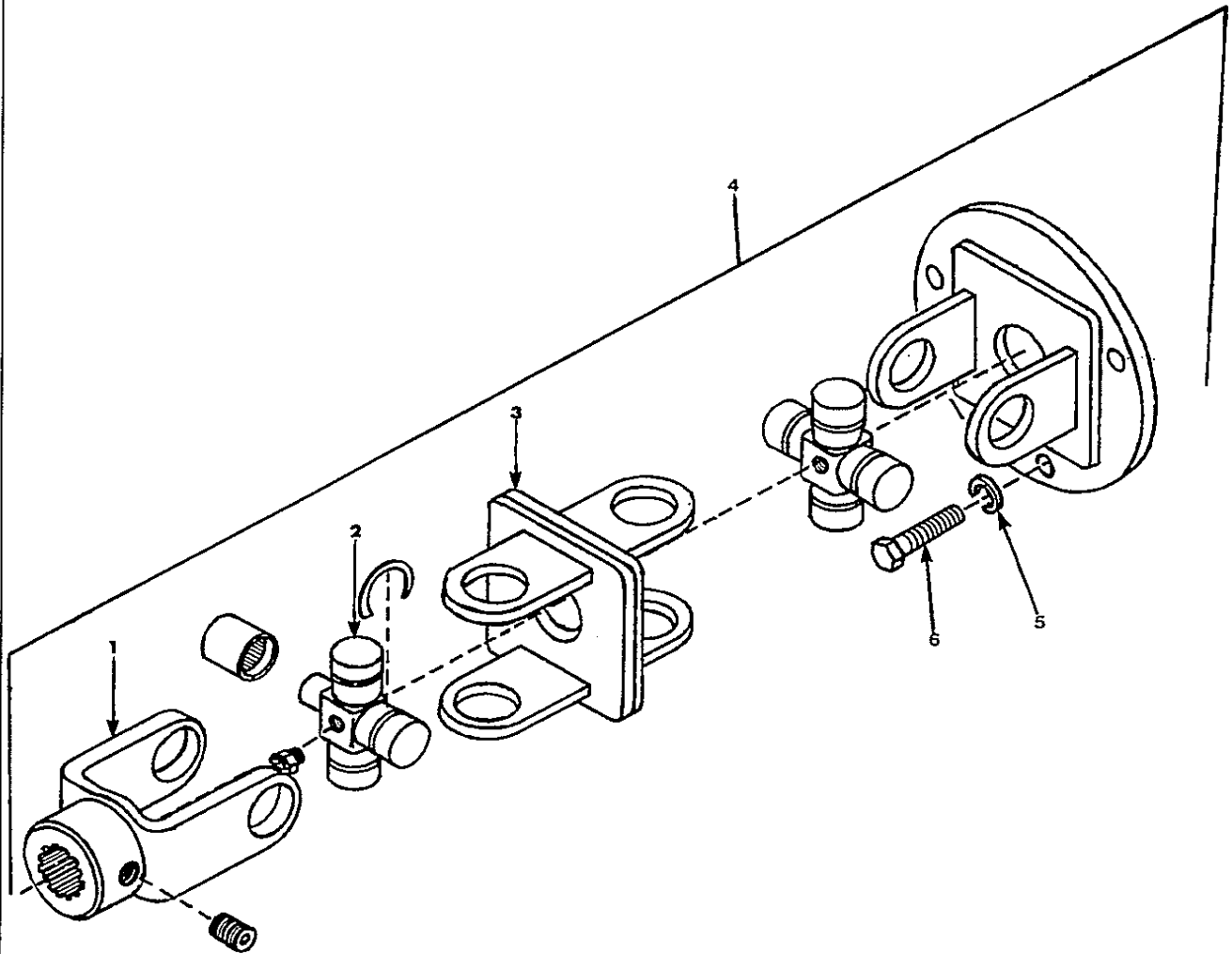










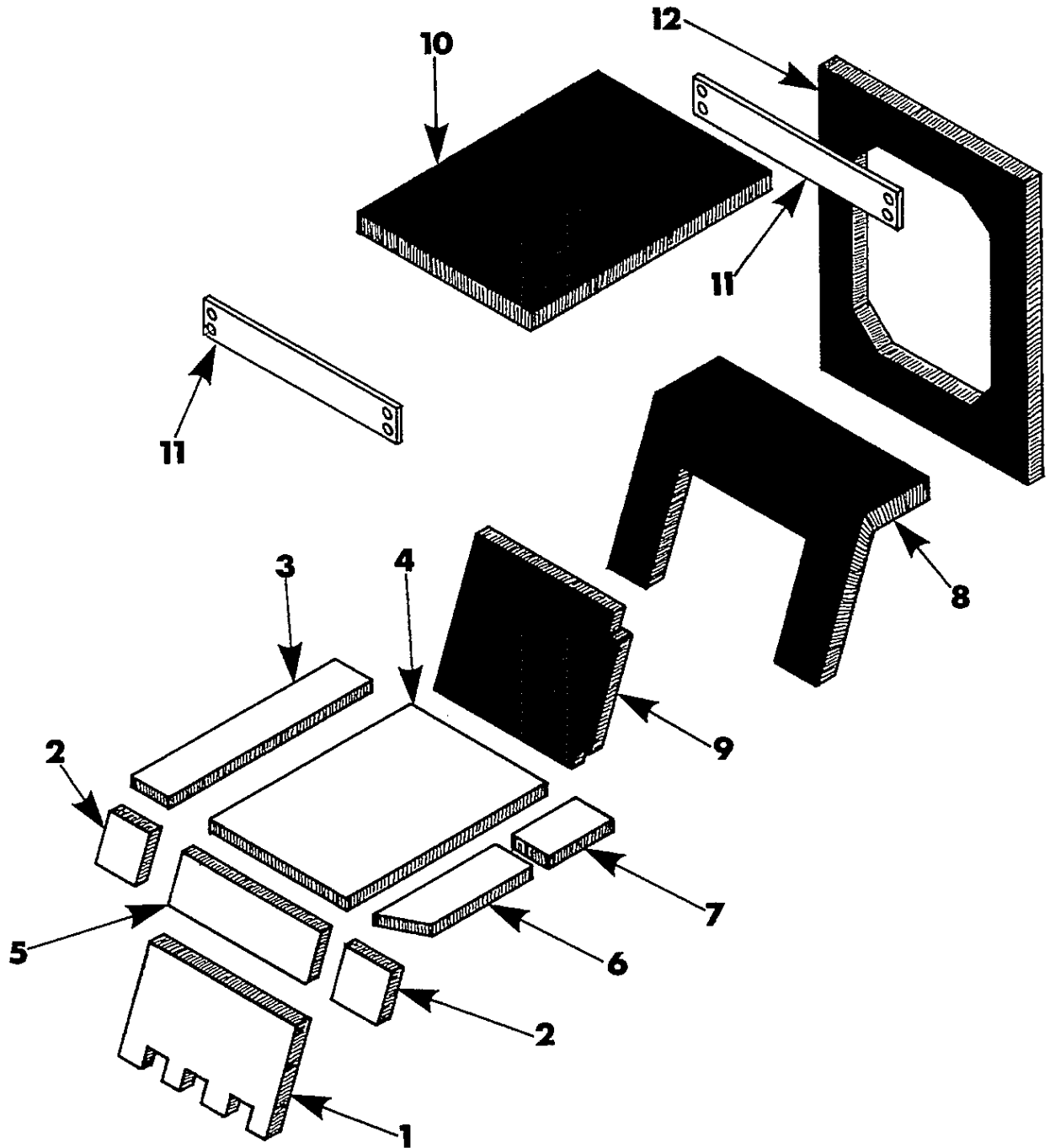




**OPTIONAL EQUIPMENT 8.**

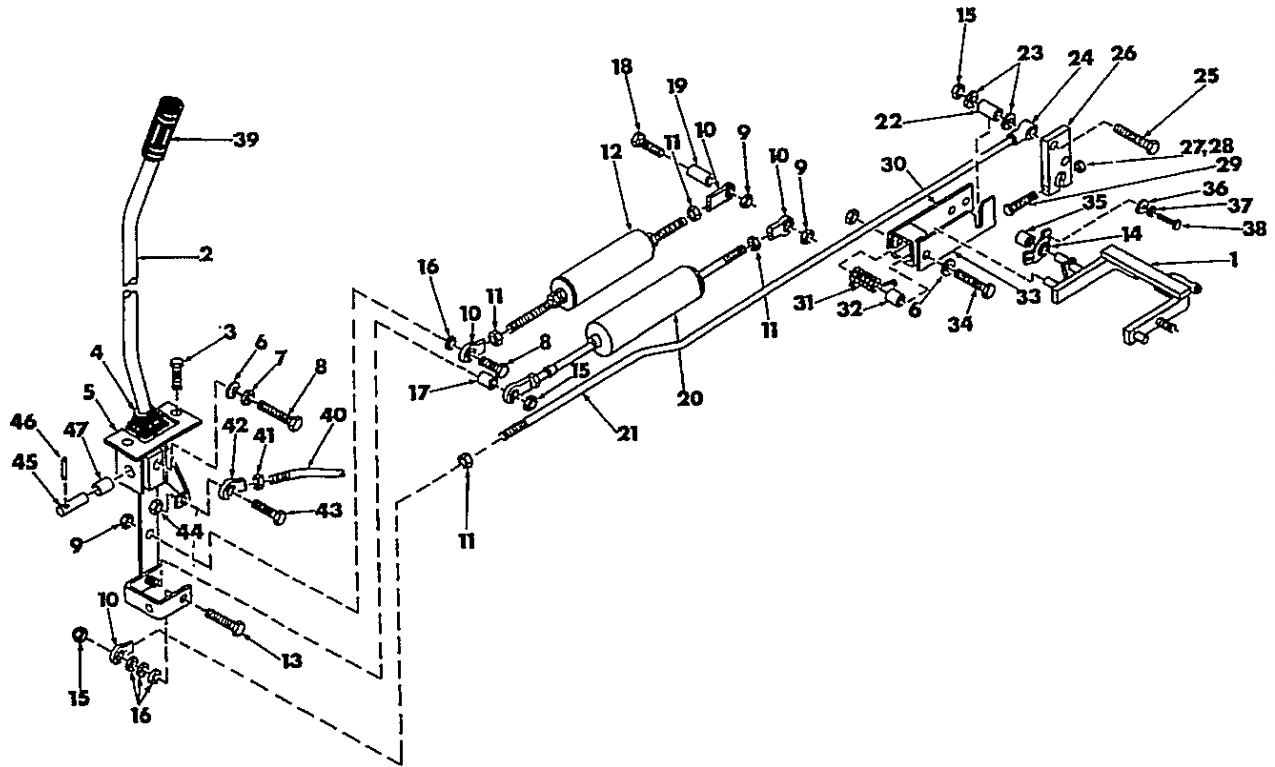
C-7	Sound Insulation.....	8.1
C-8	Hand Control Lever (R.H. Side) .....	8.2
C-9	Hand Control Lever (L.H. Side).....	8.3
C-10	Control Valve Options.....	8.4
C-11	Back-Up Alarm.....	8.5
C-12	Horn Kit.....	8.6
D-1	Strobe Light .....	8.7
D-2	Side Window.....	8.8
D-3	Light Kit.....	8.9
D-4	Directional Light Kit .....	8.10
D-5	Manuals .....	8.11

**OPTIONAL  
EQUIPMENT**

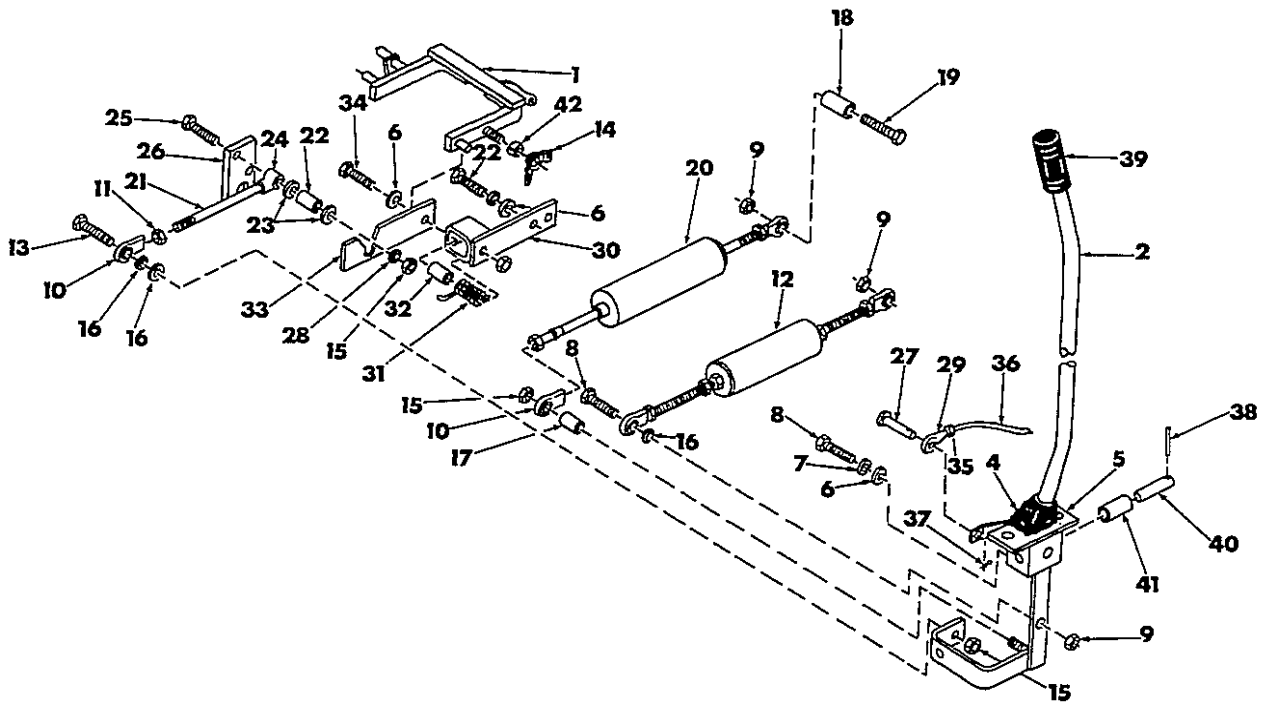






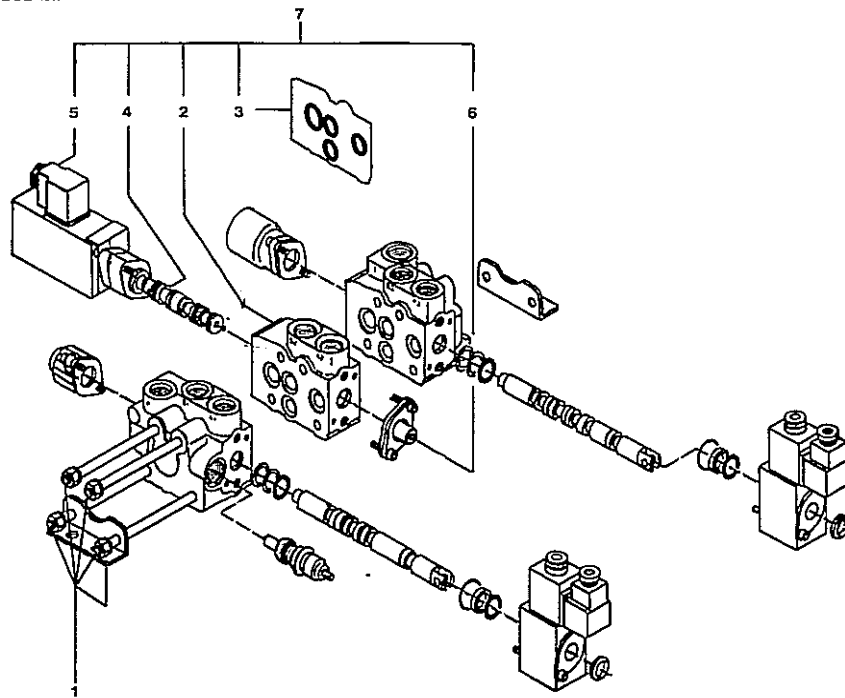






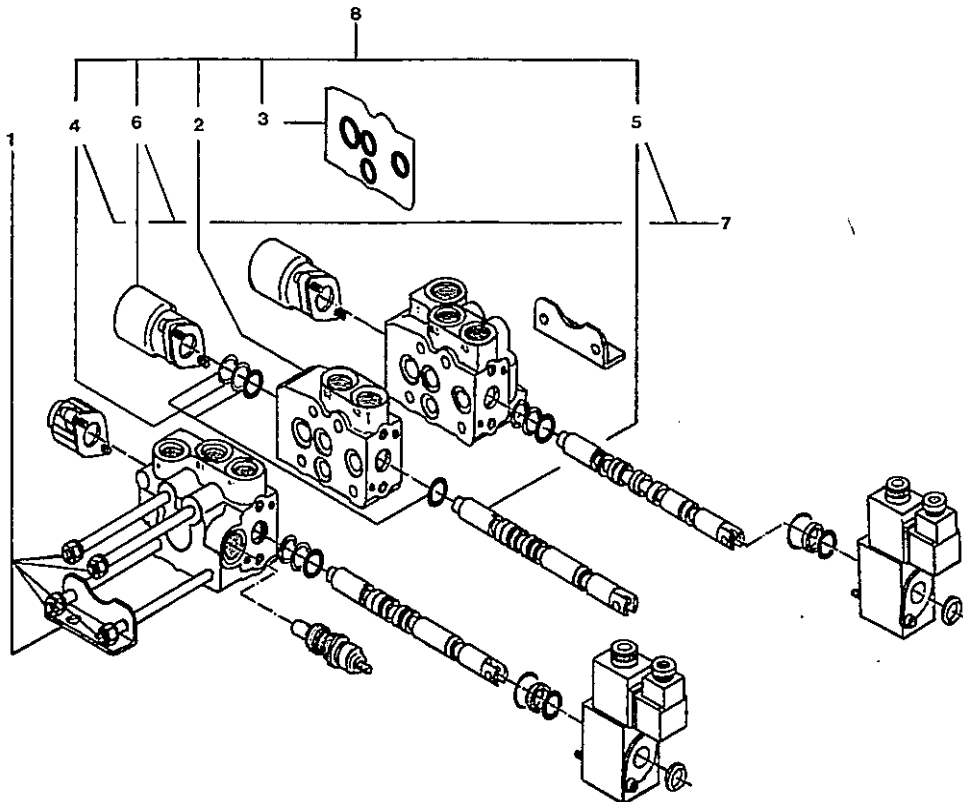


### Electric Aux.



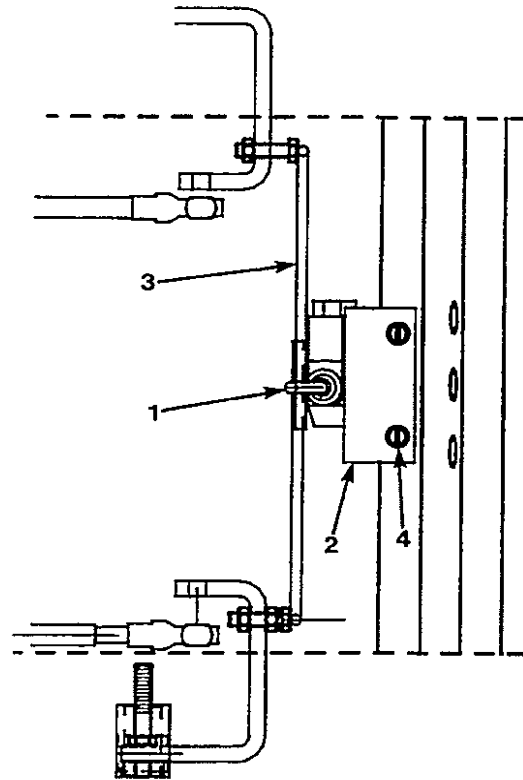
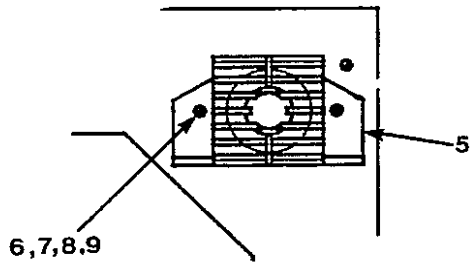
2646

### Manual Aux.



2647





















# NUMERICAL INDEX

PART NO.	SECTION	PART NO.	SECTION	PART NO.	SECTION
261	1.1	6521	6.2, 8.6	17940	8.6, 8.9
407	1.1	6522	6.1, 8.6	18318	1.1
526	1.3	6526	6.2	18685	1.1
574	1.2	6608	4.4	19029	7.4
577	8.8	6645	2.4, 2.6	19043	7.1
698	4.1	6717	1.4, 1.5	19232	5.1
765	8.6, 8.7, 8.9, 8.10	7019	1.3	19235	4.1
1191	2.3, 2.6, 4.1, 7.1, 7.2	7124	4.4	19238	5.1
1193	1.5, 2.1, 2.2, 8.2, 8.3	7416	2.5	19240	5.1
1194	1.5, 2.5	7465	1.5, 2.1, 2.2, 8.2, 8.3	19605	6.2
1350	2.1, 2.4, 8.2, 8.4, 8.5, 8.6	7667	4.4	19765	7.1
1364	1.5, 2.2	8153	1.5	19949	1.1
1630	2.3, 2.6, 8.2, 8.3	8154	1.5, 8.7, 8.9, 8.10	20182	5.1
1634	3.1	8724	4.1	20200	3.1
1642	2.3, 2.6, 8.2, 8.3	8726	1.3	20860	1.2
1650	2.1, 2.6, 8.2, 8.5, 8.6	8727	1.3	21028	7.2
1651	2.3, 4.1, 8.8	8732	1.3	21029	7.4
1672	2.1, 8.2, 8.3	8733	1.3	21121	4.2, 4.3, 4.4
1673	2.2	8742	7.4	21126	5.1
1678	1.2	8743	7.4	21174	2.1, 2.2, 8.2, 8.3
1686	2.1, 8.2, 8.3	8744	7.2	22109	5.4
1803	4.4	8767	4.5	22110	5.4
1870	2.3, 4.1, 7.1, 7.2, 8.10	8789	5.2	22111	5.4
1898	2.1, 2.2, 8.2, 8.3	8797	5.2	22115	5.4
1904	1.3, 3.1	8798	5.2	22119	5.4
2010	1.4	8799	5.2	22120	5.4
2279	2.1, 8.2, 8.5, 8.6	8809	4.5	22121	5.4
2580	7.1	8810	4.5	22962	6.2
2663	2.4, 8.5	8844	5.2	22968	7.1
2823	1.2	8846	5.2	23012	2.1, 2.2, 8.2, 8.3
3189	1.2	8847	5.2	23264	2.1, 2.2, 8.2, 8.3
3313	2.1, 8.2	8851	5.2	23371	2.5
3547	6.1	8854	4.5	23385	2.6
3550	1.5	9040	4.7	23388	5.1
3621	8.7, 8.9, 8.10	9421	1.5	23530	4.7
3622	8.7, 8.9, 8.10	10684	1.5	23579	1.3
3623	8.10	13125	7.1	23748	5.1
3625	8.10	13886	8.8	23749	5.1
3627	8.9	14619	8.6	23750	5.1
3628	8.10	14620	2.1, 2.2, 8.2, 8.3	23861	1.1
3667	8.9	14797	1.1	24129	1.4
4539	1.1	14860	2.1, 2.2, 8.2, 8.3	24169	7.4
4842	1.2	14866	4.1, 5.1	24599	2.1, 8.2
5170	2.1, 2.6, 8.2	14867	4.1	24603	2.2, 8.3
5237	8.6	14898	4.1	24851	8.9, 8.10
5239	8.9	14938	4.5	24982	5.4
5405	8.2, 8.3	14939	4.5	24983	5.4
5803	2.1, 2.2, 8.2, 8.3	15103	4.2, 4.4	24984	5.4
5842	1.1	15149	8.10	24986	5.4
5893	2.3	15432	1.3	24987	5.4
5968	3.1	15521	7.3	24989	5.4
6081	8.8, 8.10	15743	1.5	24990	5.4
6089	1.1	16601	8.7, 8.9, 8.10	24991	5.4
6268	7.3	16671	1.2, 8.5, 8.8, 8.10	24992	5.4
6270	7.3	16989	1.2	24993	5.4
6448	2.6	17516	2.6, 3.1	24994	5.4

# NUMERICAL INDEX

PART NO.	SECTION	PART NO.	SECTION	PART NO.	SECTION
24995	5.4	37798	2.6	38464	7.3
24996	5.4	37853	2.1, 2.2, 8.2, 8.3	38465	7.3
24997	5.4	37888	6.1	38478	1.4
25011	5.1	37923	1.4	38516	6.1
25175	1.4	37962	3.1	38517	1.3
25344	5.4	37963	3.1	38518	1.3
25349	5.4	37991	2.6	38525	2.1, 8.2, 8.3
25760	6.2, 8.9	38066	8.4	38531	8.5
26029	8.9	38052	2.3	38551	2.3, 8.2, 8.3
29065	2.1, 2.2, 8.2, 8.3	38085	2.1, 2.2, 8.2, 8.3	38577	6.2
29066	2.1, 2.2, 8.2	38134	1.3	38600	1.3
29349	2.1, 2.2, 8.2, 8.3	38343	2.2	38604	1.3
29384	2.1, 2.2, 8.2, 8.3	38188	1.4	38615	4.6
29885	1.4, 4.2, 4.7	38235	2.1, 2.2, 8.2, 8.3	38659	7.1
29934	1.1	38242	1.4	38667	1.4
29971	6.1, 8.9	38255	4.2	38699	4.2
29994	4.7	38256	4.2	38707	4.1
29995	4.7	32857	4.2	38717	4.2
29998	4.7	38258	4.2	38718	4.3
29999	4.7	38259	4.4	38719	4.3
30044	2.3, 8.2, 8.3	38260	4.4	38720	4.4
30501	2.1, 2.2, 2.5, 8.2, 8.3	38270	4.3	38742	4.4
30725	1.4	38272	4.1, 5.1	38745	4.7
30732	1.4	38273	5.1	38746	4.7
30923	1.5	38304	8.10	38751	2.3
30924	1.5	38305	8.10	38752	8.5
30979	1.4	38306	8.10	38761	6.2
30980	1.4	38307	8.10	38802	6.1, 8.5
31744	2.1, 2.2, 8.2, 8.10	38322	1.3	38807	2.2, 2.5
32616	1.4	38336	5.1	38810	2.6
33499	2.3	38337	7.3	38826	6.1
33609	4.1	38338	7.3	38830	1.4
34493	5.2	38340	2.4	38831	1.4
34838	2.1, 2.2, 8.2, 8.3	38342	2.6	38834	2.4
34903	4.1	38343	2.6	39013	8.11
34919	4.1	38347	2.6	39027	8.1
35426	1.2	38348	7.2	39028	8.1
35449	4.7	38355	5.1	39029	8.1
35487	1.3	38358	1.4, 4.3, 4.7	39030	8.1
35487	7.2	38369	7.3	39031	8.1
35568	7.2	38370	7.3	39032	8.1
35564	2.3, 8.2, 8.3	38380	4.2, 4.3, 4.4, 4.6	39033	8.1
36596	1.3	38381	8.4	39034	8.1
36733	4.1	38382	8.4	39035	8.1
37104	7.2	38389	4.3	39043	5.1
37426	1.3	38390	4.2, 4.4	39069	7.1
37638	5.2	38393	5.1	39074	7.2
37640	5.2	38394	7.3	39119	6.1
37641	5.2	38399	6.1	39121	6.1
37642	5.2	38420	7.2	39122	6.1, 8.6, 8.6, 8.9, 8.10
37643	5.2	38421	4.1	39123	8.7, 8.9
37644	5.2	38441	4.1	39127	8.6
37645	5.2	38459	6.1	39140	5.2
37646	5.2	38460	6.2	39142	5.2
37647	5.2	38462	7.3	39143	5.2
37708	6.2	38463	7.3	39144	5.2



# NUMERICAL INDEX

PART NO.	SECTION	PART NO.	SECTION	PART NO.	SECTION
39145	5.2	40139	4.6, 8.4	960657	2.1, 8.2
39146	5.2	40140	4.6	960659	4.1
39147	5.2	40142	8.4	960680	6.1
39148	5.2	40143	8.4	960681	6.1
39149	5.2	40144	8.4	960724	2.3
39150	5.2	40146	8.4	960726	2.1, 8.2
39151	5.2	40150	8.4	960727	2.2, 8.3
39152	5.2	40155	8.4	960732	3.1
39153	5.3	40157	8.4	960735	1.2
39154	5.3	40158	8.4	960738	7.1
39155	5.3	40160	4.3	960739	7.1
39156	5.3	40242	5.1	960749	4.1, 5.1
39157	5.3	40345	8.8	960757	4.1
39158	5.3	40480	1.4	960773	2.1, 2.2, 2.6, 8.2, 8.3
39159	5.3	951078	4.5	960783	7.2
39160	5.3	951403	1.5	960794	1.3
39161	5.3	951404	1.5	960819	8.5
39162	7.2	951405	1.5	960848	5.1
39163	7.2	951408	1.5	960876	8.10
39164	7.2	951410	1.5	960877	8.10
39165	7.2	955571	5.1	960878	8.10
39166	7.2	956138	2.1, 2.2, 8.2, 8.3		
39167	7.2	956712	2.2, 8.3		
39168	7.2	958471	4.2, 4.4		
39172	5.4	959073	2.1, 2.2, 8.2, 8.3		
39174	5.1	960357	1.2		
39184	6.1	960419	1.4		
39185	6.1	960426	2.3		
39186	6.1	960444	2.6		
39187	6.1	960459	2.3		
39200	8.7, 8.9	960460	4.3		
39204	8.6, 8.7, 8.9, 8.10	960461	2.3		
39206	8.6	960463	2.3		
39207	8.9	960472	2.4		
39533	8.10	960496	1.3		
39534	8.10	960497	2.4		
39575	8.11	960498	2.4		
39565	5.3	960529	7.2		
39728	7.2	960546	5.1		
39730	7.2	960547	5.1		
39731	7.2	960548	5.1		
39732	7.2	960529	7.2		
39798	8.11	960546	5.1		
40032	7.3	960547	5.1		
40101	7.2	960548	5.1		
40127	4.6	960549	4.1		
40128	4.6	960550	4.1, 5.1		
40129	4.6	960551	5.1		
40130	4.6	960552	5.1		
40131	4.6	960553	5.1		
40132	4.6, 8.4	960554	4.2, 4.3		
40133	4.6	960555	4.3		
40134	4.6	960557	7.4		
40135	4.6	960571	2.5		
40137	4.6	960655	2.1, 8.2		
40138	4.6	960656	2.2, 8.3		